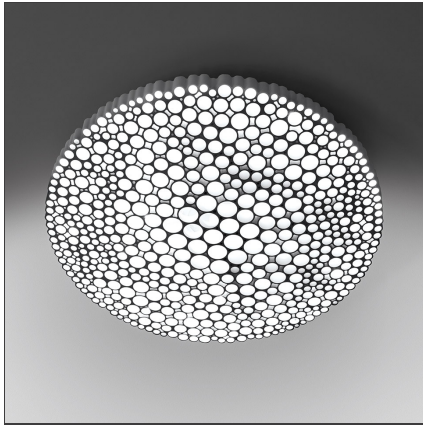


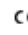
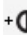


Calipso 2700K - App Compatible



IP20    Dimmbar: 

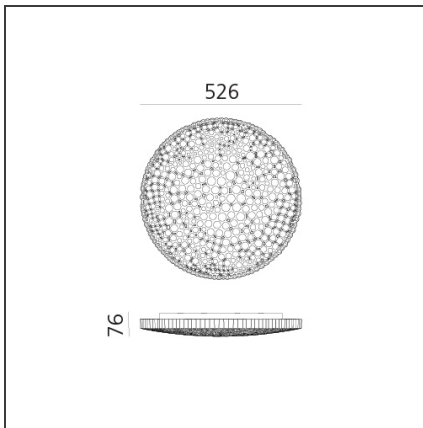
DESIGN

Neil Poulton

BESCHREIBUNG

The unique honeycomb grill of Calipso was generated by feeding a photo of the moon into an image-based algorithm found on a seemingly extinct computer. The resulting fractal shape, an impure geometry that displays the irregular beauty of nature, is built from an organic honeycomb of different diameter tubes, seemingly arranged in a random geometry. This honeycomb characterizes the lamp both aesthetically and optically - not only is it visually pleasing, but it also provides an even and comfortable light emission. The result is a highly emotional lighting object that joins together optical and aesthetic intelligence. A product positioned perfectly half-way between home and professional use, Calipso is suited to a variety of applications - expressing Artemide's traditional approach to deliver high performance lighting with a unique and emotional expressiveness.

TECHNISCHE ZEICHNUNGEN



FUNKTIONEN

Artikelnummer:	0210W10APP	Material:	Tecnopolymer
Farbe:	White	Serie:	Design, 2018
Installation:	Wandleuchte, Deckenleuchte	Lichtverteilung:	Direct
Anwendungsbereich:	Innenbeleuchtung		

DIMENSION

Breite:	cm 7.6	Glühdrahttest:	650
----------------	--------	-----------------------	-----

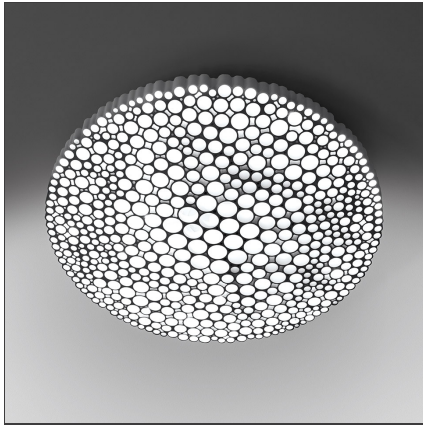
INKLUSIVE LEUCHTMITTEL





Kategorie:	LED	Farbtemperatur(K):	2700K
Anzahl:	4	Color Tolerance:	MacAdam 3SDCM
Watt:	10.8W	CRI:	90
Lichtstrom (lm):	1214lm	Efficacy:	112lm/W
Typ:	0	Service Life:	50000-L70
Class:	A		

LUMINAIRE

Watt:	55W	Lichtstrom (lm):	2884lm
Spannung (V):	220-240V	CCT:	2700K
		Efficiency:	56%
		Efficacy:	52.43lm/W
		CRI:	90
		Dimmable Typology:	Push

Calipso 2700K



IP20    Dimmbar: 

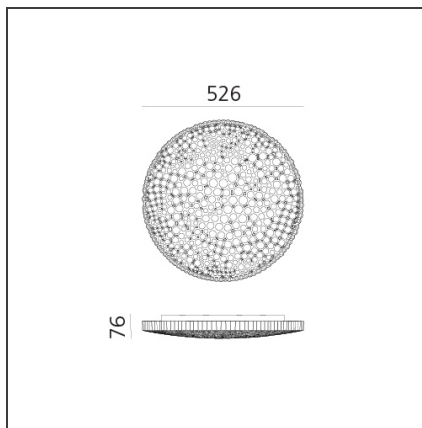
DESIGN

Neil Poulton

BESCHREIBUNG

The unique honeycomb grill of Calipso was generated by feeding a photo of the moon into an image-based algorithm found on a seemingly extinct computer. The resulting fractal shape, an impure geometry that displays the irregular beauty of nature, is built from an organic honeycomb of different diameter tubes, seemingly arranged in a random geometry. This honeycomb characterizes the lamp both aesthetically and optically - not only is it visually pleasing, but it also provides an even and comfortable light emission. The result is a highly emotional lighting object that joins together optical and aesthetic intelligence. A product positioned perfectly half-way between home and professional use, Calipso is suited to a variety of applications - expressing Artemide's traditional approach to deliver high performance lighting with a unique and emotional expressiveness.

TECHNISCHE ZEICHNUNGEN



FUNKTIONEN

Artikelnummer:	0210W10A	Material:	Tecnopolymer
Farbe:	White	Serie:	Design, 2018
Installation:	Wandleuchte, Deckenleuchte	Lichtverteilung:	Artemide Collection Direct
Anwendungsbereich:	Innenbeleuchtung		

DIMENSION

Breite:	cm 7.6	Glühdrahttest:	650
----------------	--------	-----------------------	-----

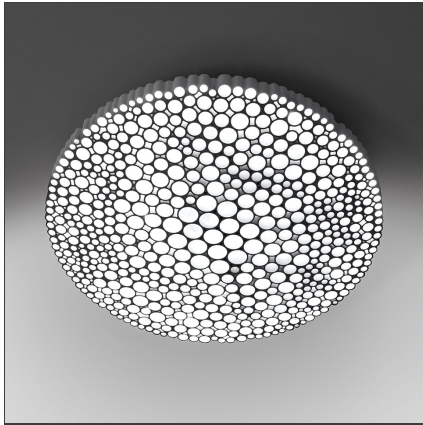
INKLUSIVE LEUCHTMITTEL




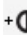
Kategorie:	LED	Farbtemperatur(K):	2700K
Anzahl:	4	Color Tolerance:	MacAdam 3SDCM
Watt:	10.8W	CRI:	90
Lichtstrom (lm):	1214lm	Efficacy:	112lm/W
Typ:	0	Service Life:	50000-L70
Class:	A		

LUMINAIRE

Watt:	55W	Lichtstrom (lm):	2884lm
Spannung (V):	220-240V	CCT:	2700K
		Efficiency:	56%
		Efficacy:	52.43lm/W
		CRI:	90
		Dimmable Typology:	Push

Calipso 3000K



IP20    Dimmbar: 

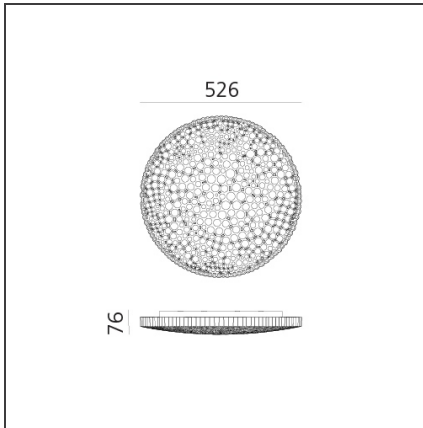
DESIGN

Neil Poulton

BESCHREIBUNG

The unique honeycomb grill of Calipso was generated by feeding a photo of the moon into an image-based algorithm found on a seemingly extinct computer. The resulting fractal shape, an impure geometry that displays the irregular beauty of nature, is built from an organic honeycomb of different diameter tubes, seemingly arranged in a random geometry. This honeycomb characterizes the lamp both aesthetically and optically - not only is it visually pleasing, but it also provides an even and comfortable light emission. The result is a highly emotional lighting object that joins together optical and aesthetic intelligence. A product positioned perfectly half-way between home and professional use, Calipso is suited to a variety of applications - expressing Artemide's traditional approach to deliver high performance lighting with a unique and emotional expressiveness.

TECHNISCHE ZEICHNUNGEN



FUNKTIONEN

Artikelnummer:	0210010A	Material:	Tecnopolymer
Farbe:	White	Serie:	Design, 2018
Installation:	Wandleuchte, Deckenleuchte	Lichtverteilung:	Artemide Collection Direct
Anwendungsbereich:	Innenbeleuchtung		

DIMENSION

Breite:	cm 7.6	Glühdrahttest:	650
----------------	--------	-----------------------	-----

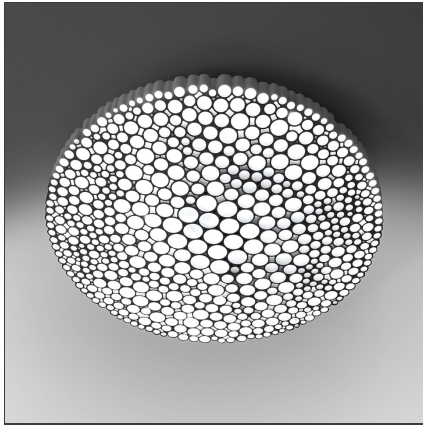
INKLUSIVE LEUCHTMITTEL




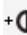
Kategorie:	LED	Farbtemperatur(K):	3000K
Anzahl:	4	Color Tolerance:	MacAdam 3SDCM
Watt:	10.8W	CRI:	90
Lichtstrom (lm):	1214lm	Efficacy:	112lm/W
Typ:	0	Service Life:	50000-L70

LUMINAIRE

Watt:	55W	Lichtstrom (lm):	2884lm
Spannung (V):	220-240V	CCT:	3000K
		Efficiency:	56%
		Efficacy:	52.43lm/W
		CRI:	90
		Dimmable Typology:	Push

Calipso 3000K - App Compatible



IP20    Dimmbar: 

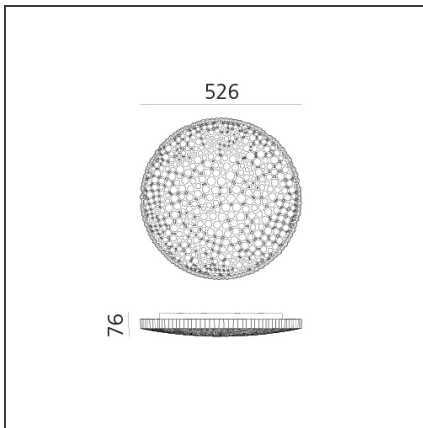
DESIGN

Neil Poulton

BESCHREIBUNG

The unique honeycomb grill of Calipso was generated by feeding a photo of the moon into an image-based algorithm found on a seemingly extinct computer. The resulting fractal shape, an impure geometry that displays the irregular beauty of nature, is built from an organic honeycomb of different diameter tubes, seemingly arranged in a random geometry. This honeycomb characterizes the lamp both aesthetically and optically - not only is it visually pleasing, but it also provides an even and comfortable light emission. The result is a highly emotional lighting object that joins together optical and aesthetic intelligence. A product positioned perfectly half-way between home and professional use, Calipso is suited to a variety of applications - expressing Artemide's traditional approach to deliver high performance lighting with a unique and emotional expressiveness.

TECHNISCHE ZEICHNUNGEN



FUNKTIONEN

Artikelnummer:	0210010APP	Material:	Tecnopolymer
Farbe:	White	Serie:	Design, 2018
Installation:	Wandleuchte, Deckenleuchte	Lichtverteilung:	Artemide Collection Direct
Anwendungsbereich:	Innenbeleuchtung		

DIMENSION

Breite:	cm 7.6	Glühdrahttest:	650
----------------	--------	-----------------------	-----

INKLUSIVE LEUCHTMITTEL

Kategorie:	LED	Farbtemperatur(K):	3000K
Anzahl:	4	Color Tolerance:	MacAdam 3SDCM
Watt:	10.8W	CRI:	90
Lichtstrom (lm):	1214lm	Efficacy:	112lm/W
Typ:	0	Service Life:	50000-L70

LUMINAIRE

Watt:	55W	Lichtstrom (lm):	2884lm
Spannung (V):	220-240V	CCT:	3000K
		Efficiency:	56%
		Efficacy:	52.43lm/W
		CRI:	90
		Dimmable Typology:	Push