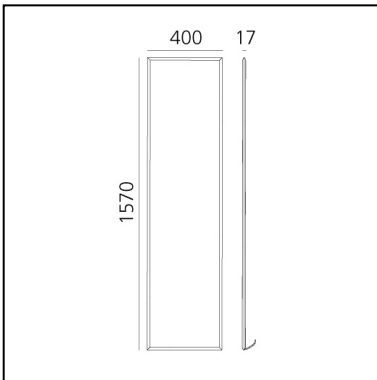


Discovery Floor - RGBW

Ernesto Gismondi



IP20 



LUMINAIRE

- Watt: **56W**
- Lichtstrom (lm): **RGB 1036lm White 1817lm**
- CRI: **80**

ZUBEHÖR



Device for switching and controlling Artemide App products. Max N.3 inputs for external push buttons. Max 1m distance. Mains power supply required. To be installed inside flush mounting boxes or junction boxes. DV1080APP

BESCHREIBUNG

Discovery floor is brought to the essential. The technological innovation applied to the emitting surface enclosed by a black frame becomes the only element that constitutes this floor lamp. The dimensions are re-proportioned with respect to the suspended versions so that it can fit perfectly into any environment simply by leaning freely against the walls in an inclined position.

ARTIKELNUMMER: 2041030APP

FUNKTIONEN

- Artikelnummer: **2041030APP**
- Farbe: **Black**
- Installation: **Stehleuchte**
- Material: **Technopolymer, aluminium**
- Serie: **Design Collection**
- design: **Ernesto Gismondi**

DIMENSION

- Länge: **cm 40**
- Breite: **cm 1.7**
- Höhe: **cm 157**

INKLUSIVE LICHTQUELLEN

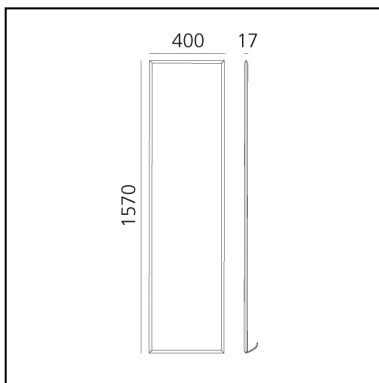
- Kategorie: **Led RGBW**
- Anzahl: **1**
- Color Tolerance: **5SDCM**
- Service Life: **Life L90 (6K) 50000h**

Discovery Floor - TW

Ernesto Gismondi



IP20   



LUMINAIRE

- Watt: **55W**
- Lichtstrom (lm): **Warm 2400lm - Cold 2527lm**
- CCT: **2700-6500K**
- CRI: **90**

ZUBEHÖR



Device for switching and controlling Artemide App products. Max N.3 inputs for external push buttons. Max 1m distance. Mains power supply required. To be installed inside flush mounting boxes or junction boxes. DV1080APP

BESCHREIBUNG

Discovery floor is brought to the essential. The technological innovation applied to the emitting surface enclosed by a black frame becomes the only element that constitutes this floor lamp. The dimensions are re-proportioned with respect to the suspended versions so that it can fit perfectly into any environment simply by leaning freely against the walls in an inclined position.

ARTIKELNUMMER: 2040030APP

FUNKTIONEN

- Artikelnummer: **2040030APP**
- Farbe: **Black**
- Installation: **Stehleuchte**
- Material: **Technopolymer, aluminium**
- Serie: **Design Collection**
- design: **Ernesto Gismondi**

DIMENSION

- Länge: **cm 40**
- Breite: **cm 1.7**
- Höhe: **cm 157**

INKLUSIVE LICHTQUELLEN

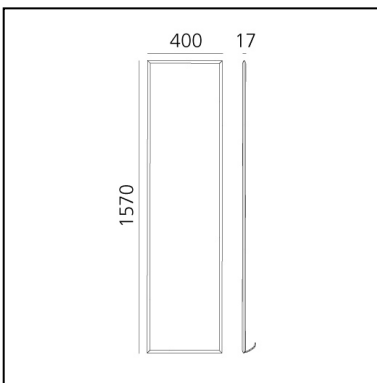
- Kategorie: **Led TW**
- Anzahl: **1**
- Watt: **55W**

Discovery Floor - White Violet Integralis

Ernesto Gismondi



⊕ Dimmbar: +●-



LUMINAIRE

DAY MODE

- Watt: **67W**
- Lichtstrom (lm): **2972lm**
- Strahlungsstärke: **1804mW**
- CCT: **2700K**
- CRI: **80**
- Dimmable Typology: **APP**

- Watt: **67W**
- Spannung (V): **220-240V**
- Lichtstrom (lm): **31lm**
- Strahlungsstärke: **5467mW**
- Dimmable Typology: **APP**

BESCHREIBUNG

Discovery floor is brought to the essential. The technological innovation applied to the emitting surface enclosed by a black frame becomes the only element that constitutes this floor lamp. The dimensions are re-proportioned with respect to the suspended versions so that it can fit perfectly into any environment simply by leaning freely against the walls in an inclined position.

ARTIKELNUMMER: 2040030IN1APP

FUNKTIONEN

- Artikelnummer: **2040030IN1APP**
- Farbe: **Black**
- Installation: **Stehleuchte**
- Material: **Technopolymer, aluminium**
- Serie: **Design Collection**
- design: **Ernesto Gismondi**

DIMENSION

- Länge: **cm 40**
- Höhe: **cm 157**

ZUBEHÖR

Device for switching and controlling Artemide App products. Max N.3 inputs for external push buttons. Max 1m distance. Mains power supply required. To be installed inside flush mounting boxes or junction boxes. DV1080APP