

Demetra Micro Wall Grey 2700K



DESIGN:

Naoto Fukasawa

MATERIAL:

Aluminium, technopolymer

BESCHREIBUNG:

Demetra micro, in the table and wall version with arm, offers the same freedom of the traditional version, i.e. utmost flexibility in directing light across space. While its power and flow are just slightly reduced compared to the classical version, it has all the same pluses in terms of operation and lighting performance. warm light tone very high Cri 90 light quality maximum performance Dimmable with microswitch located on the appliance's head, it emits warm light with a very high colour yield (Cri 90) Its dimension is therefore minimized to fit into the smallest spaces and to expand the range of potential applications of the entire Demetra family, ideal for work and hospitality locations, as well as for home use.

AUSWAHL

LED

Wand

Grey

ARTIKELNUMMER

1748W10A

Lichtverteilung

IP20



TECHNISCHES DATENBLATT

FUNKTIONEN

Produktname: Demetra Micro Wall Grey 2700K
 Artikelnummer: 1748W10A
 Farbe: Grey
 Material: Aluminium, technopolymer
 Serie: Design
 Anwendungsbereich: Innenbeleuchtung

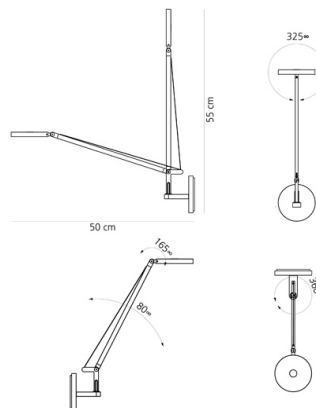
OPTIK

Lichtverteilung: Direct and adjustable light

DIMENSION

Länge: cm 8
 Breite: cm 10
 Höhe: cm 18
 Breite: cm 11
 Durchmesser Fuß: cm 11
 Max Erweiterungslänge: cm 55
 Max Erweiterungsbreite: cm 51
 Glühdrahttest: 750 °

DIMENSION



FARBE



INKLUSIVE LEUCHTMITTEL

Kategorie: LED COB
 Anzahl: 1
 Watt: 6W
 Farbtemperatur(K): 2700K
 Baureihe: A

LUMINAIR

Watt: 6W
 Spannung (V): 100-240V
 Lichtstrom(lm): 241lm
 CCT: 2700K
 Efficiency: 49%
 Efficacy: 40.17lm/W
 CRI: 90
 Dimmer Typology: Microswitch Dimmer

Demetra Micro Wall Grey 3000K



DESIGN:

Naoto Fukasawa

MATERIAL:

Aluminium, technopolymer

BESCHREIBUNG:

Demetra micro, in the table and wall version with arm, offers the same freedom of the traditional version, i.e. utmost flexibility in directing light across space. While its power and flow are just slightly reduced compared to the classical version, it has all the same pluses in terms of operation and lighting performance. warm light tone very high Cri 90 light quality maximum performance Dimmable with microswitch located on the appliance's head, it emits warm light with a very high colour yield (Cri 90) Its dimension is therefore minimized to fit into the smallest spaces and to expand the range of potential applications of the entire Demetra family, ideal for work and hospitality locations, as well as for home use.

AUSWAHL

LED

Wand

White

ARTIKELNUMMER

1748010A

Lichtverteilung

IP20



TECHNISCHES DATENBLATT

FUNKTIONEN

Produktname: Demetra Micro Wall Grey 3000K
 Artikelnummer: 1748010A
 Farbe: White
 Material: Aluminium, technopolymer
 Serie: Design
 Anwendungsbereich: Innenbeleuchtung

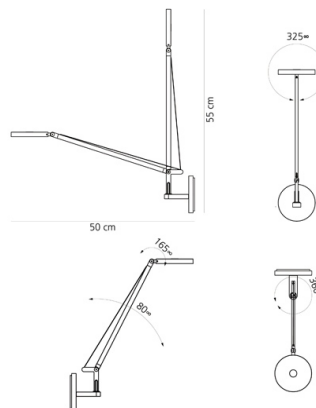
OPTIK

Lichtverteilung: Direct and adjustable light

DIMENSION

Länge: cm 8
 Breite: cm 10
 Höhe: cm 18
 Breite: cm 11
 Durchmesser Fuß: cm 11
 Max Erweiterungslänge: cm 55
 Max Erweiterungsbreite: cm 51
 Glühdrahttest: 750 °

DIMENSION



FARBE



INKLUSIVE LEUCHTMITTEL

Kategorie: LED COB
 Anzahl: 1
 Watt: 6W
 Farbtemperatur(K): 3000K
 Baureihe: A

LUMINAIR

Watt: 6W
 Spannung (V): 100-240V
 Lichtstrom(lm): 257lm
 CCT: 3000K
 Efficiency: 49%
 Efficacy: 42.82lm/W
 CRI: 90
 Dimmer Typology: Microswitch Dimmer

Demetra Micro Wall Polished black 2700K



DESIGN:

Naoto Fukasawa

MATERIAL:

Aluminium, technopolymer

BESCHREIBUNG:

Demetra micro, in the table and wall version with arm, offers the same freedom of the traditional version, i.e. utmost flexibility in directing light across space. While its power and flow are just slightly reduced compared to the classical version, it has all the same pluses in terms of operation and lighting performance. warm light tone very high Cri 90 light quality maximum performance Dimmable with microswitch located on the appliance's head, it emits warm light with a very high colour yield (Cri 90) Its dimension is therefore minimized to fit into the smallest spaces and to expand the range of potential applications of the entire Demetra family, ideal for work and hospitality locations, as well as for home use.

AUSWAHL

- LED ▼
- Wand ▼
- Polished black ▼

ARTIKELNUMMER

1748W40A

Lichtverteilung

IP20



TECHNISCHES DATENBLATT

FUNKTIONEN

Produktname: Demetra Micro Wall Polished black 2700K
Artikelnummer: 1748W40A
Farbe: Polished black
Material: Aluminium, technopolymer
Serie: Design
Anwendungsbereich: Innenbeleuchtung

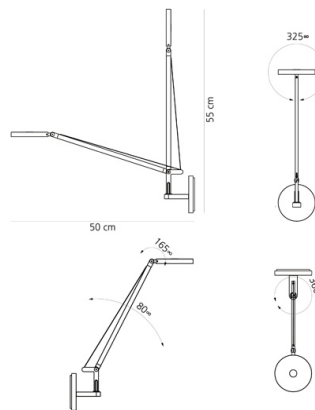
OPTIK

Lichtverteilung: Direct and adjustable light

DIMENSION

Länge: cm 8
Breite: cm 10
Höhe: cm 18
Breite: cm 11
Durchmesser Fuß: cm 11
Max Erweiterungslänge: cm 55
Max Erweiterungsbreite: cm 51
Glühdrahttest: 750 °

DIMENSION



FARBE



INKLUSIVE LEUCHTMITTEL

Kategorie: LED COB
Anzahl: 1
Watt: 6W
Farbtemperatur(K): 2700K
Baureihe: A

LUMINAIR

Watt: 6W
Lichtstrom(lm): 241lm
CCT: 2700K
Efficiency: 49%
Efficacy: 40.17lm/W
CRI: 90
Dimmer Typology: Microswitch Dimmer

Demetra Micro Wall Polished black 3000K



DESIGN:

Naoto Fukasawa

MATERIAL:

Aluminium, technopolymer

BESCHREIBUNG:

Demetra micro, in the table and wall version with arm, offers the same freedom of the traditional version, i.e. utmost flexibility in directing light across space. While its power and flow are just slightly reduced compared to the classical version, it has all the same pluses in terms of operation and lighting performance. warm light tone very high Cri 90 light quality maximum performance Dimmable with microswitch located on the appliance's head, it emits warm light with a very high colour yield (Cri 90) Its dimension is therefore minimized to fit into the smallest spaces and to expand the range of potential applications of the entire Demetra family, ideal for work and hospitality locations, as well as for home use.

AUSWAHL

LED

Wand

Polished black

ARTIKELNUMMER

1748040A

Lichtverteilung

IP20



TECHNISCHES DATENBLATT

FUNKTIONEN

Produktname: Demetra Micro Wall Polished black 3000K
Artikelnummer: 1748040A
Farbe: Polished black
Material: Aluminium, technopolymer
Serie: Design
Anwendungsbereich: Innenbeleuchtung

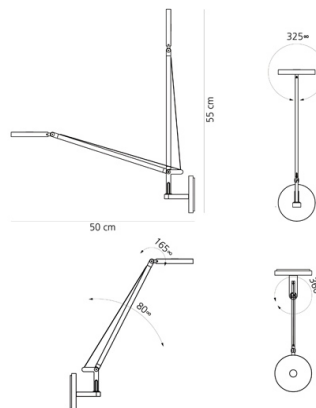
OPTIK

Lichtverteilung: Direct and adjustable light

DIMENSION

Länge: cm 8
Breite: cm 10
Höhe: cm 18
Breite: cm 11
Durchmesser Fuß: cm 11
Max Erweiterungslänge: cm 55
Max Erweiterungsbreite: cm 51
Glühdrahttest: 750 °

DIMENSION



FARBE



INKLUSIVE LEUCHTMITTEL

Kategorie: LED COB
Anzahl: 1
Watt: 6W
Farbtemperatur(K): 3000K
Baureihe: A

LUMINAIR

Watt: 6W
Spannung (V): 100-240V
Lichtstrom(lm): 257lm
CCT: 3000K
Efficiency: 49%
Efficacy: 43lm/W
CRI: 90
Dimmer Typology: Microswitch Dimmer

Demetra Micro Wall White 2700K



DESIGN:

Naoto Fukasawa

MATERIAL:

Aluminium, technopolymer

BESCHREIBUNG:

Demetra micro, in the table and wall version with arm, offers the same freedom of the traditional version, i.e. utmost flexibility in directing light across space. While its power and flow are just slightly reduced compared to the classical version, it has all the same pluses in terms of operation and lighting performance. warm light tone very high Cri 90 light quality maximum performance Dimmable with microswitch located on the appliance's head, it emits warm light with a very high colour yield (Cri 90) Its dimension is therefore minimized to fit into the smallest spaces and to expand the range of potential applications of the entire Demetra family, ideal for work and hospitality locations, as well as for home use.

AUSWAHL

LED
 Wand
 Grey

ARTIKELNUMMER

1748W20A

Lichtverteilung

IP20



TECHNISCHES DATENBLATT

FUNKTIONEN

Produktname: Demetra Micro Wall White 2700K
Artikelnummer: 1748W20A
Farbe: Grey
Material: Aluminium, technopolymer
Serie: Design
Anwendungsbereich: Innenbeleuchtung

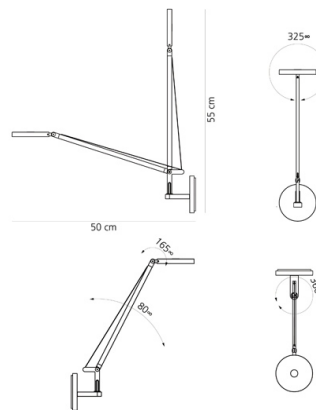
OPTIK

Lichtverteilung: Direct and adjustable light

DIMENSION

Länge: cm 8
Breite: cm 10
Höhe: cm 18
Breite: cm 11
Durchmesser Fuß: cm 11
Max Erweiterungslänge: cm 55
Max Erweiterungsbreite: cm 51
Glühdrahttest: 750 °

DIMENSION



FARBE



INKLUSIVE LEUCHTMITTEL

Kategorie: LED COB
Anzahl: 1
Watt: 6W
Farbtemperatur(K): 2700K
Baureihe: A

LUMINAIR

Watt: 6W
Spannung (V): 100-240V
Lichtstrom(lm): 241lm
CCT: 2700K
Efficiency: 49%
Efficacy: 40.17lm/W
CRI: 90
Dimmer Typology: Microswitch Dimmer

Demetra Micro Wall White 3000K



DESIGN:

Naoto Fukasawa

MATERIAL:

Aluminium, technopolymer

BESCHREIBUNG:

Demetra micro, in the table and wall version with arm, offers the same freedom of the traditional version, i.e. utmost flexibility in directing light across space. While its power and flow are just slightly reduced compared to the classical version, it has all the same pluses in terms of operation and lighting performance. warm light tone very high Cri 90 light quality maximum performance Dimmable with microswitch located on the appliance's head, it emits warm light with a very high colour yield (Cri 90) Its dimension is therefore minimized to fit into the smallest spaces and to expand the range of potential applications of the entire Demetra family, ideal for work and hospitality locations, as well as for home use.

AUSWAHL

LED

Wand

White

ARTIKELNUMMER

1748020A

Lichtverteilung

IP20



TECHNISCHES DATENBLATT

FUNKTIONEN

Produktname: Demetra Micro Wall White 3000K
 Artikelnummer: 1748020A
 Farbe: White
 Material: Aluminium, technopolymer
 Serie: Design
 Anwendungsbereich: Innenbeleuchtung

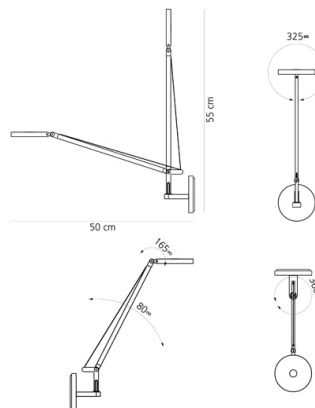
OPTIK

Lichtverteilung: Direct and adjustable light

DIMENSION

Länge: cm 8
 Breite: cm 10
 Höhe: cm 18
 Breite: cm 11
 Durchmesser Fuß: cm 11
 Max Erweiterungslänge: cm 55
 Max Erweiterungsbreite: cm 51
 Glühdrahttest: 750 °

DIMENSION



FARBE



INKLUSIVE LEUCHTMITTEL

Kategorie: LED COB
 Anzahl: 1
 Watt: 6W
 Farbtemperatur(K): 3000K
 Baureihe: A

LUMINAIR

Watt: 6W
 Spannung (V): 100-240V
 Lichtstrom(lm): 257lm
 CCT: 3000K
 Efficiency: 49%
 Efficacy: 42.82lm/W
 CRI: 90
 Dimmer Typology: Microswitch Dimmer

