



Description

Nature and its life-giving beauty and strength serve as the model for a unique lighting concept called IVY. Just as the plant grows and climbs up the walls of a house, creating multiple images.



Tech. description

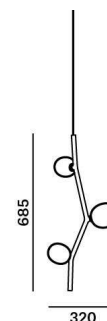
The main body of the light comprises a dural frame and glass shades fitted with G4 sockets. The frame is connected to the power cable by means of an integrated Brokis connector. The power cable is hung from the ceiling canopy, which also houses the electronics.

Colours options: https://brokis.sharepoint.com/:b:/s/brokis_sp/EbGr1ceWI0FKm0dwLZkegrlBlck_j4OqVdwBg-UjPDcqfA

CONSTRUCTION SPECIFICATION

Weight:	1.9 kg
Construction material:	glass, metal
Cord length [mm]:	2,000 mm
Mounting:	Ceiling
Environment:	Indoor

DIMENSIONS [mm]



ELECTRICAL SPECIFICATION

Input voltage [V]:	100 - 240 V
Frequency [Hz]:	50-60 Hz
Max. power [W]:	3 x 2 W LED
Coverage IP:	20
Socket:	G4, 12V
Light source:	-
Energy class:	A+ to B depending on light source

CERTIFICATIONS





CM6200

Socket	G4
Type	LED
Lamp wattage [W]	1.2 W
Input voltage [V]	12 VDC
Energy class	A+
Flux [lm]	91 lm
Light colour [K]	2700 K
CRI	90+
Lifespan [h]	20000h
Dimmable	yes
Dimensions h x w [mm]	10 x 28,4 mm

DATASHEET

RECOMENDED CANOPY



Download

CEILING CANOPY

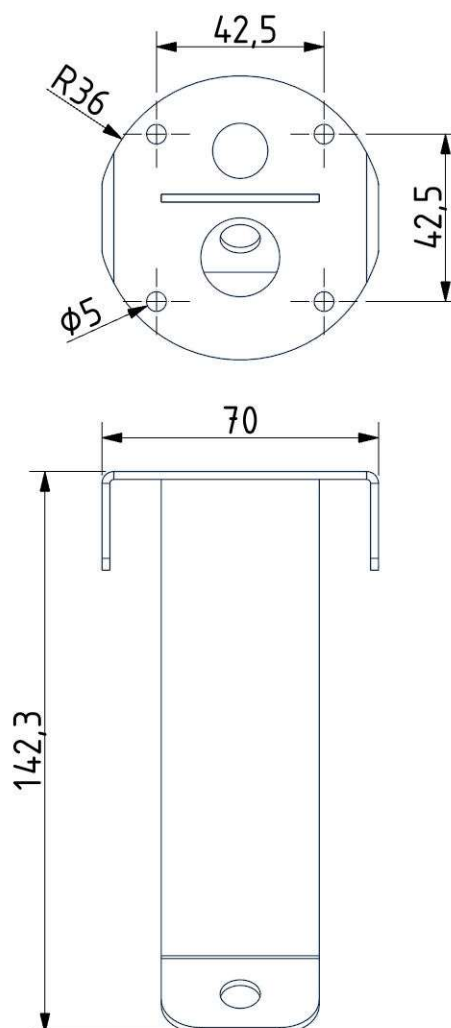
Dimensions O x w [mm] 80 x 150 mm
Weight [kg] 0.85 kg
Material metal



Drawing



Canopy bracket



DATASHEET

RECOMENDED CANOPY



Download

CEILING CANOPY

Dimensions O x w [mm]	101,5 x 220 mm
Weight [kg]	1.6 kg
Material	metal



Drawing



Canopy bracket

