



## Description

Nature and its life-giving beauty and strength serve as the model for a unique lighting concept called IVY. Just as the plant grows and climbs up the walls of a house, creating multiple images.



## Tech. description

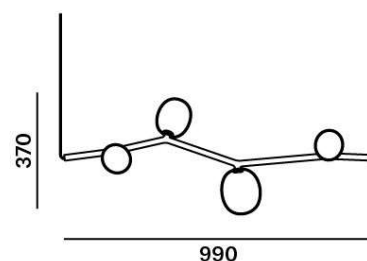
The main body of the light comprises a dural frame and glass shades fitted with G4 sockets. The frame is connected to the power cable by means of an integrated Brokis connector and is hung from a steel rope on the opposite end. The power cable is hung from the ceiling canopy, which also houses the electronics.

Colours options: [https://brokis.sharepoint.com/:b:/s/brokis\\_sp/ER4okWslIlgJOj18PKI22GtABAgHIOyrtwzFMEqI8P7tc7g](https://brokis.sharepoint.com/:b:/s/brokis_sp/ER4okWslIlgJOj18PKI22GtABAgHIOyrtwzFMEqI8P7tc7g)

## CONSTRUCTION SPECIFICATION

<b>Weight:</b>	2.5 kg
<b>Construction material:</b>	glass, metal
<b>Cord length [mm]:</b>	2,000 mm
<b>Mounting:</b>	Ceiling
<b>Environment:</b>	Indoor

## DIMENSIONS [mm]



## ELECTRICAL SPECIFICATION

<b>Input voltage [V]:</b>	100 - 240 V
<b>Frequency [Hz]:</b>	50-60 Hz
<b>Max. power [W]:</b>	4 x 2 W LED
<b>Coverage IP:</b>	20
<b>Socket:</b>	G4, 12V
<b>Light source:</b>	-
<b>Energy class:</b>	A+ to B depending on light source

## CERTIFICATIONS





### CM6200

<b>Socket</b>	G4
<b>Type</b>	LED
<b>Lamp wattage [W]</b>	1.2 W
<b>Input voltage [V]</b>	12 VDC
<b>Energy class</b>	A+
<b>Flux [lm]</b>	91 lm
<b>Light colour [K]</b>	2700 K
<b>CRI</b>	90+
<b>Lifespan [h]</b>	20000h
<b>Dimmable</b>	yes
<b>Dimensions h x w [mm]</b>	10 x 28,4 mm



# DATASHEET

## RECOMENDED CANOPY



Download

### CEILING CANOPY

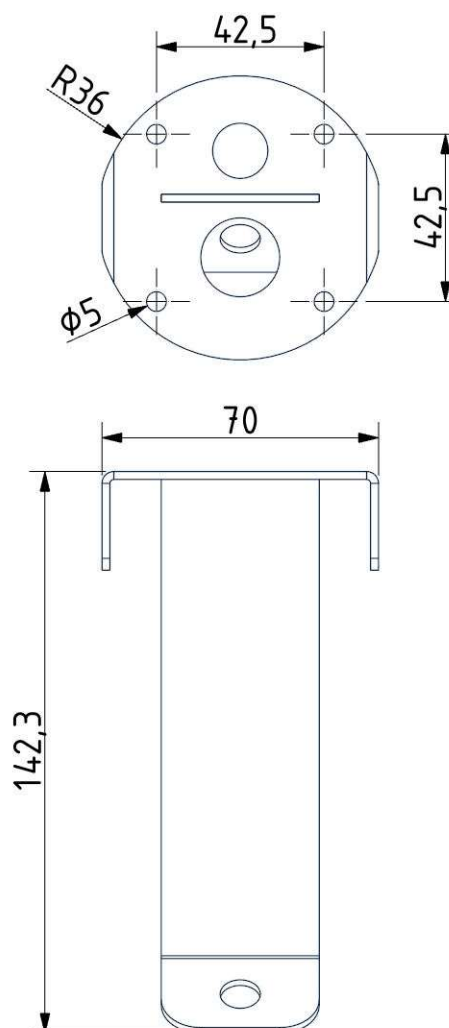
Dimensions O x w [mm] 80 x 150 mm  
Weight [kg] 0.85 kg  
Material metal



### Drawing



### Canopy bracket



BROKIS S.R.O.  
ŠPANIELOVA 1315/25  
163 00 PRAHA 6 - ŘEPY  
CZECH REPUBLIC

ORG ID 64940799  
VAT ID CZ64940799  
C 42174 MĚSTSKÝ SOUD  
V PRAZE

TEL +420 567 211 517  
TECHNICAL@BROKIS.CZ  
INFO@BROKIS.CZ  
WWW.BROKIS.CZ

2020\_08  
PAGE 3

# DATASHEET

## RECOMENDED CANOPY



Download

### CEILING CANOPY

Dimensions O x w [mm]	101,5 x 220 mm
Weight [kg]	1.6 kg
Material	metal



### Drawing



### Canopy bracket

