



Description

Nature and its life-giving beauty and strength serve as the model for a unique lighting concept called IVY. Just as the plant grows and climbs up the walls of a house, creating multiple images.



Tech. description

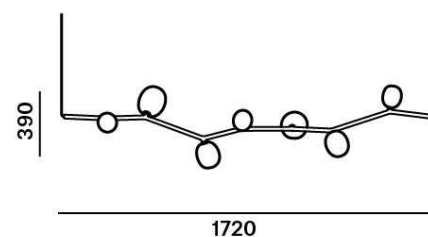
The main body of the light comprises a dural frame and glass shades fitted with G4 sockets. The frame is connected to the power cable by means of an integrated Brokis connector and is hung from a steel rope on the opposite end. The power cable is hung from the ceiling canopy, which also houses the electronics.

Colours options: https://brokis.sharepoint.com/:b:/s/brokis_sp/ETAddqXMu5xJrR36CX2znIIBA0D7AhfixLEAJ3g6PWzoFg

CONSTRUCTION SPECIFICATION

Weight:	4.3 kg
Construction material:	glass, metal
Cord length [mm]:	2,000 mm
Mounting:	Ceiling
Environment:	Indoor

DIMENSIONS [mm]



ELECTRICAL SPECIFICATION

Input voltage [V]:	100 - 240 V
Frequency [Hz]:	50-60 Hz
Max. power [W]:	7 x 2 W LED
Coverage IP:	20
Socket:	G4, 12V
Light source:	-
Energy class:	A+ to B depending on light source

CERTIFICATIONS



DATASHEET

RECOMMENDED BULBS



Download



CM6200

Socket	G4
Type	LED
Lamp wattage [W]	1.2 W
Input voltage [V]	12 VDC
Energy class	A+
Flux [lm]	91 lm
Light colour [K]	2700 K
CRI	90+
Lifespan [h]	20000h
Dimmable	yes
Dimensions h x w [mm]	10 x 28,4 mm



DATASHEET

RECOMENDED CANOPY



Download

CEILING CANOPY

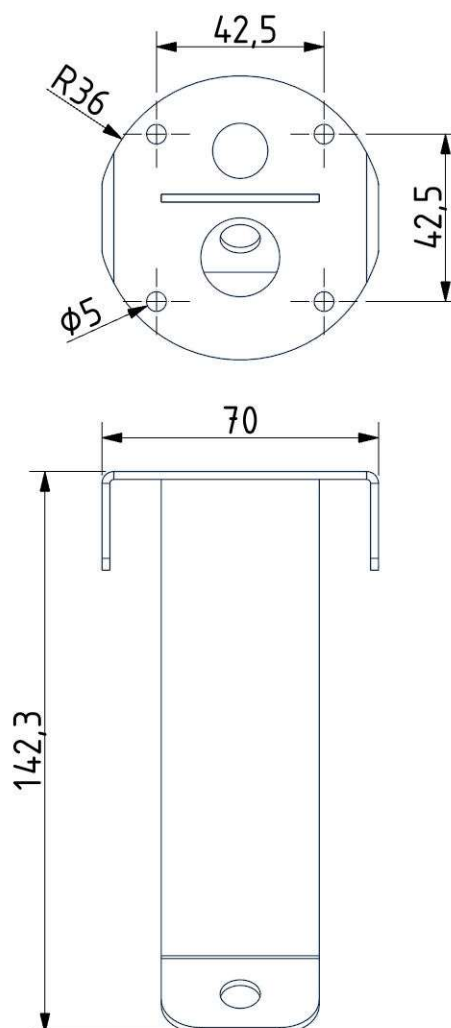
Dimensions O x w [mm]	80 x 150 mm
Weight [kg]	0.85 kg
Material	metal



Drawing



Canopy bracket



DATASHEET

RECOMENDED CANOPY



Download

CEILING CANOPY

Dimensions O x w [mm]	101,5 x 220 mm
Weight [kg]	1.6 kg
Material	metal



Drawing



Canopy bracket

