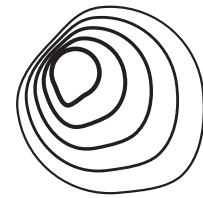


DATASHEET



BROKIS

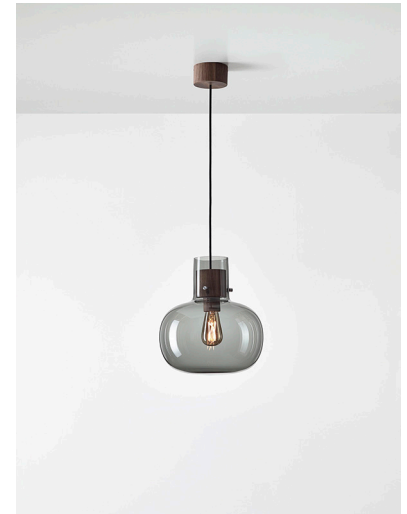
Name Pendant lamp

Type Awa

ID PC1129

Description A ball made from air wrapped in liquid is called "Awa" in Japanese. This design sprung from the idea of creating resembling soft glass that has retained its shape after being inflated.

Tech. description The light comprises a metal body with wooden or metal cover, power cord, and glass diffuser suspended from three points. The light is attached to a ceiling canopy.



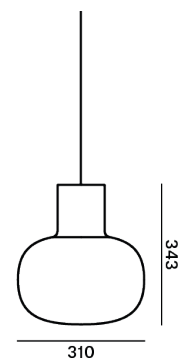
CONSTRUCTION SPECIFICATION

Weight [kg]	3.5 kg
Construction material	glass, wood, metal
Cord length [mm]	2,000 mm
Mounting	Ceiling
Environment	Indoor

ELECTRICAL SPECIFICATION

Input voltage [V]	230 VDC
Frequency [Hz]	50-60 Hz
Max. power [W]	60 W
Coverage IP	20
Socket	E27
Light source	-
Energy class	A+ to E depending on light source

Dimensions [mm]

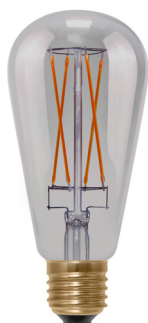


Certifications



DATASHEET

RECOMMENDED BULBS



SEGULA 50500

Socket	E27
Type	LED filament
Lamp wattage [W]	6 W
Input voltage [V]	220-240 VAC
Energy class	A
Flux[lm]	250 lm
Light colour [K]	2,000 K
CRI	90+
Lifespan [h]	20,000h
Dimmable	yes
Dimensions h x w [mm]	146 x 64 mm

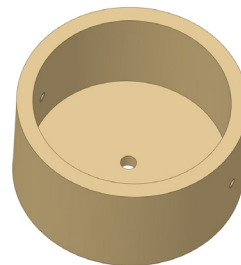


SEGULA 50154

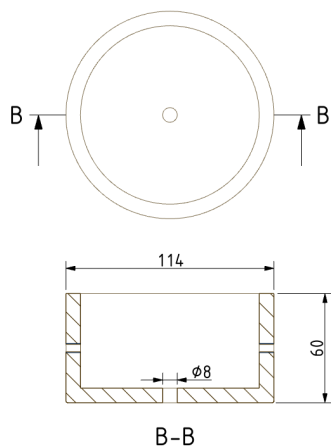
Socket	E27
Type	LED filament
Lamp wattage [W]	12 W
Input voltage [V]	220-240 VAC
Energy class	B
Flux[lm]	500 lm
Light colour [K]	2,600 K
CRI	95
Lifespan [h]	15,000h
Dimmable	yes
Dimensions h x w [mm]	140 x 100 mm

Ceiling Canopy

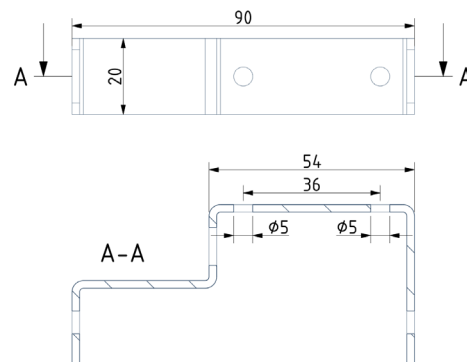
Dimensions \varnothing x w [mm]	114 x 60 mm
Weight [kg]	0.17 kg
Material	wood



Drawing

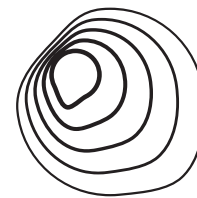


Canopy bracket



DATASHEET

RECOMMENDED BULBS



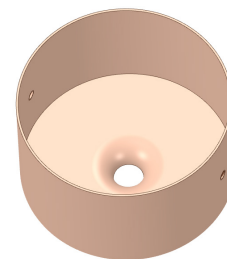
BROKIS

Ceiling Canopy

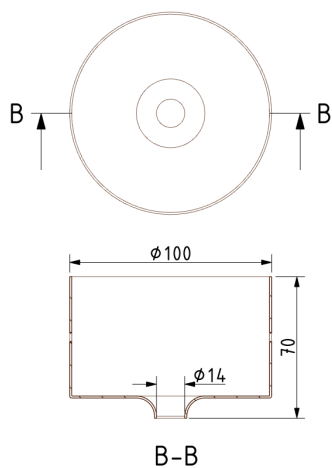
Dimensions \varnothing x w [mm] 100 x 70 mm

Weight [kg] 0.26 kg

Material metal



Drawing



Canopy bracket

