



Description

Geometric accentuates the aesthetic expression and structure of BROKISGLASS, which itself is remarkably distinctive. The collection is defined by basic geometric shapes that characterize the overall contours of the lights and instil them with a singular graphic element to achieve a striking contrast with the animate, almost sculptural makeup of the glass.



Tech. description

The light comprises a metal frame encased from both sides in BROKISGLASS, while internal LED 24VDC modules with optical elements scatter light evenly across the glass. The light is hung on two steel wires extending from a ceiling canopy, which also houses the electronics.

Colours options: https://brokis.sharepoint.com/:b:/s/brokis_sp/EZeUW5BX-Z9Jouyciqbc-1sBaLtkelVsGUYn1iWI8KLbRQ

CONSTRUCTION SPECIFICATION

Weight:	7 kg
Construction material:	glass, metal
Cord length [mm]:	2.200 mm
Mounting:	Ceiling
Environment:	Indoor

DIMENSIONS [mm]



ELECTRICAL SPECIFICATION

Input voltage [V]:	100 - 240 V
Frequency [Hz]:	50-60 Hz
Max. power [W]:	20 W
Coverage IP:	20
Socket:	-
Light source:	LED module
Energy class:	A+

CERTIFICATIONS





CM11919 Geometric LED modul pulkruh 2700K

Type	LED module
Lamp wattage [W]	10 W
Input voltage [V]	24 VDC
Energy class	A+
Flux [lm]	1250 lm
Light colour [K]	2700 K
CRI	90+
Lifespan [h]	20000h
Dimmable	yes (PWM)

DATASHEET

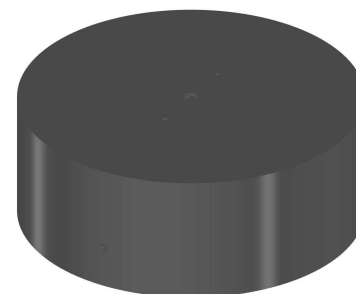
RECOMENDED CANOPY



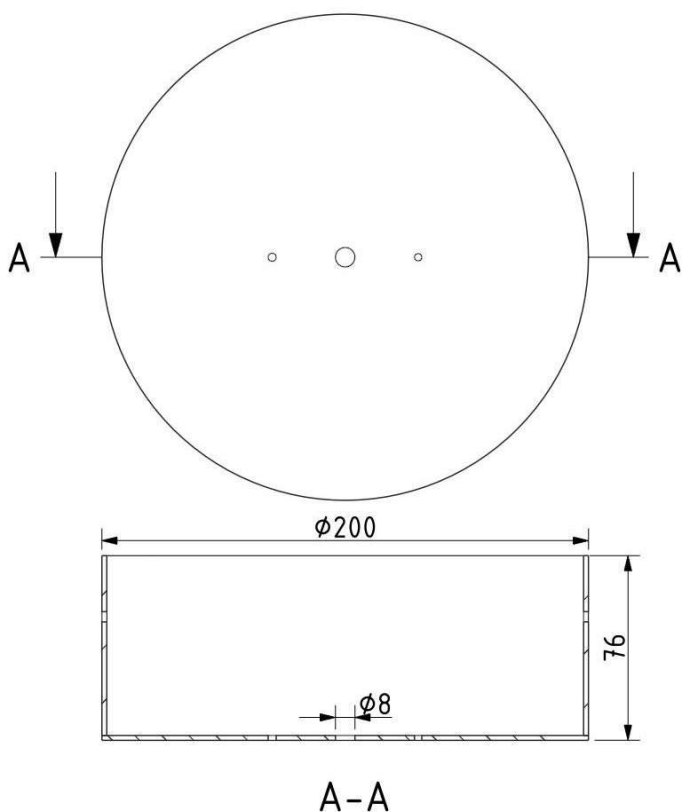
Download

CEILING CANOPY

Dimensions $O \times w$ [mm]	200 x 76 mm
Weight [kg]	2,6 kg
Material	metal



Drawing



Canopy bracket

