

# DATASHEET

Type: **SHADOWS**  
Name: Pendant light  
ID: PC1163  
Designed by: Lucie Koldová & Dan Yeffet



Download

## Description

The new Shadows Exterior collection is IP54 compliant for outdoor use: the hand-crafted wooden body of the interior lights has been replaced with a weather-resistant dural body. Special integrated connectors developed by Brokis make it easier to install, maintain, and clean the lights.



## Tech. description

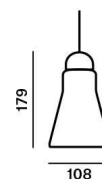
The light comprises a glass shade, dural body with Brokis connector housing a GZ10 socket, and a silicone power cord with Brokis connector. The entire assembly is IP54 compliant. The light is suspended from a ceiling canopy.

Colours options: [https://brokis.sharepoint.com/:b/s/brokis\\_sp/ERLa971JhsZDvpbflgI4SSsB6siULu1vLqkV7mBPOdvlw](https://brokis.sharepoint.com/:b/s/brokis_sp/ERLa971JhsZDvpbflgI4SSsB6siULu1vLqkV7mBPOdvlw)

## CONSTRUCTION SPECIFICATION

**Weight:** 1,5kg  
**Construction material:** glass, metal  
**Cord length [mm]:** 2,000 mm  
**Mounting:** Ceiling  
**Environment:** Outdoor

## DIMENSIONS [mm]



## ELECTRICAL SPECIFICATION

**Input voltage [V]:** 230 V  
**Frequency [Hz]:** 50-60 Hz  
**Max. power [W]:** 10 W  
**Coverage IP:** 54  
**Socket:** GZ10  
**Light source:** -  
**Energy class:** A+ to B depending on light source

## CERTIFICATIONS



BROKIS S.R.O.  
ŠPANILOVA 1315/25  
163 00 PRAHA 6 - ŘEPY  
CZECH REPUBLIC

ORG ID 64940799  
VAT ID CZ64940799  
C 42174 MĚSTSKÝ SOUD  
V PRAZE

TEL +420 567 211 517  
TECHNICAL@BROKIS.CZ  
INFO@BROKIS.CZ  
WWW.BROKIS.CZ

2022\_01  
PAGE 1

# DATASHEET

## RECOMMENDED BULBS



Download



**CM9963**

<b>Socket</b>	GU10
<b>Type</b>	LED
<b>Lamp wattage [W]</b>	6,5 W
<b>Input voltage [V]</b>	220 - 240 VAC
<b>Energy class</b>	A+
<b>Flux [lm]</b>	336 lm
<b>Light colour [K]</b>	2700 K
<b>CRI</b>	90+
<b>Lifespan [h]</b>	25000h
<b>Dimmable</b>	yes
<b>Dimensions h x w [mm]</b>	55 x 50 mm



BROKIS®

BROKIS S.R.O.  
ŠPANILOVA 1315/25  
163 00 PRAHA 6 - ŘEPY  
CZECH REPUBLIC

ORG ID 64940799  
VAT ID CZ64940799  
C 42174 MĚSTSKÝ SOUD  
V PRAZE

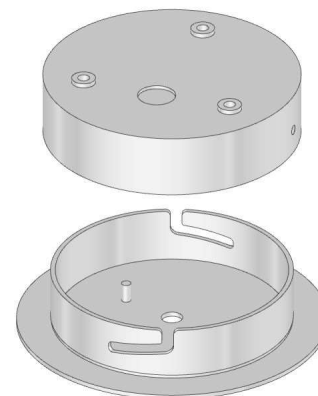
TEL +420 567 211 517  
TECHNICAL@BROKIS.CZ  
INFO@BROKIS.CZ  
WWW.BROKIS.CZ

2022\_01  
PAGE 2



### INNER FIXTURE

Dimensions O x w [mm] 130 x 34 mm  
Weight [kg] 0,6 kg  
Material stainless steel



### Drawing

### Hole placement

