



## Description

Nature and its life-giving beauty and strength serve as the model for a unique lighting concept called IVY. Just as the plant grows and climbs up the walls of a house, creating multiple images.

## Tech. description

The main part of the light comprises a dural frame and glass shades over G4 fixtures. A rod connects the frame directly to the canopy, which houses the electronics. A touch dimmer is integrated into one side of the frame.



Colours options: [https://brokis.sharepoint.com/:b:/s/brokis\\_sp/EbFtIVhQ21dGiCLD\\_3WJZEkB-KmYxbyvyOAR4Yo57vQAK](https://brokis.sharepoint.com/:b:/s/brokis_sp/EbFtIVhQ21dGiCLD_3WJZEkB-KmYxbyvyOAR4Yo57vQAK)

## CONSTRUCTION SPECIFICATION

<b>Weight:</b>	3.7 kg
<b>Construction material:</b>	glass, metal
<b>Cord length [mm]:</b>	-
<b>Mounting:</b>	Wall
<b>Environment:</b>	Indoor

## DIMENSIONS [mm]



324

## ELECTRICAL SPECIFICATION

<b>Input voltage [V]:</b>	100 - 240 V
<b>Frequency [Hz]:</b>	50-60 Hz
<b>Max. power [W]:</b>	6 x 2 W LED
<b>Coverage IP:</b>	20
<b>Socket:</b>	G4, 12V
<b>Light source:</b>	-
<b>Energy class:</b>	A+ to B depending on light source

## CERTIFICATIONS



BROKIS®

BROKIS S.R.O.  
ŠPANILOVA 1315/25  
163 00 PRAHA 6 - ŘEPY  
CZECH REPUBLIC

ORG ID 64940799  
VAT ID CZ64940799  
C 42174 MĚSTSKÝ SOUD  
V PRAZE

TEL +420 567 211 517  
TECHNICAL@BROKIS.CZ  
INFO@BROKIS.CZ  
WWW.BROKIS.CZ

2020\_09  
PAGE 1



### CM6200

<b>Socket</b>	G4
<b>Type</b>	LED
<b>Lamp wattage [W]</b>	1.2 W
<b>Input voltage [V]</b>	12 VDC
<b>Energy class</b>	A+
<b>Flux [lm]</b>	91 lm
<b>Light colour [K]</b>	2700 K
<b>CRI</b>	90+
<b>Lifespan [h]</b>	20000h
<b>Dimmable</b>	yes
<b>Dimensions h x w [mm]</b>	10 x 28,4 mm



# DATASHEET

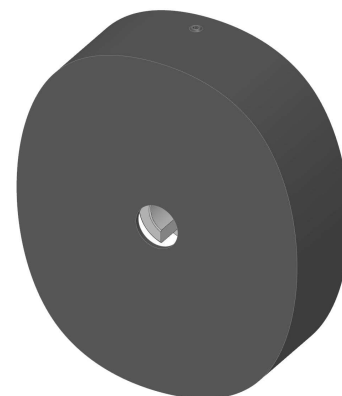
## RECOMENDED CANOPY



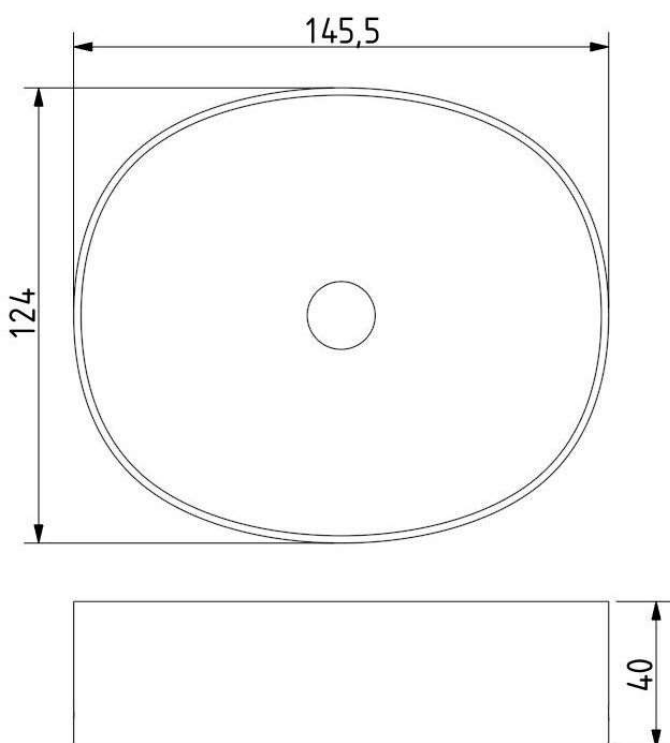
Download

### CEILING CANOPY

Dimensions l x w x h [mm]	145,5 x 124 x 40 mm
Weight [kg]	0,4 kg
Material	metal



### Drawing



### Canopy bracket

