



Description

Nature and its life-giving beauty and strength serve as the model for a unique lighting concept called IVY. Just as the plant grows and climbs up the walls of a house, creating multiple images.



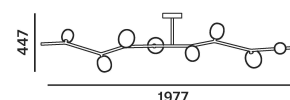
Tech. description The main part of the light comprises a dural frame and glass shades over G4 fixtures. A rod connects the frame directly to the canopy, which houses the electronics.

Colours options: https://brokis.sharepoint.com/:b:/s/brokis_sp/EXndB0145XZAp-OLcMV5X_IBbq5viRWa0rGmYajwbaz2OQ

CONSTRUCTION SPECIFICATION

Weight:	4.9 kg
Construction material:	glass, metal
Cord length [mm]:	-
Mounting:	Ceiling
Environment:	Indoor

DIMENSIONS [mm]



ELECTRICAL SPECIFICATION

Input voltage [V]:	100 - 240 V
Frequency [Hz]:	50-60 Hz
Max. power [W]:	8 x 2 W LED
Coverage IP:	20
Socket:	G4, 12V
Light source:	-
Energy class:	A+ to B depending on light source

CERTIFICATIONS





CM6200

Socket	G4
Type	LED
Lamp wattage [W]	1.2 W
Input voltage [V]	12 VDC
Energy class	A+
Flux [lm]	91 lm
Light colour [K]	2700 K
CRI	90+
Lifespan [h]	20000h
Dimmable	yes
Dimensions h x w [mm]	10 x 28,4 mm

DATASHEET

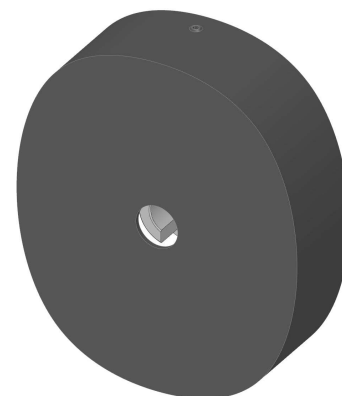
RECOMENDED CANOPY



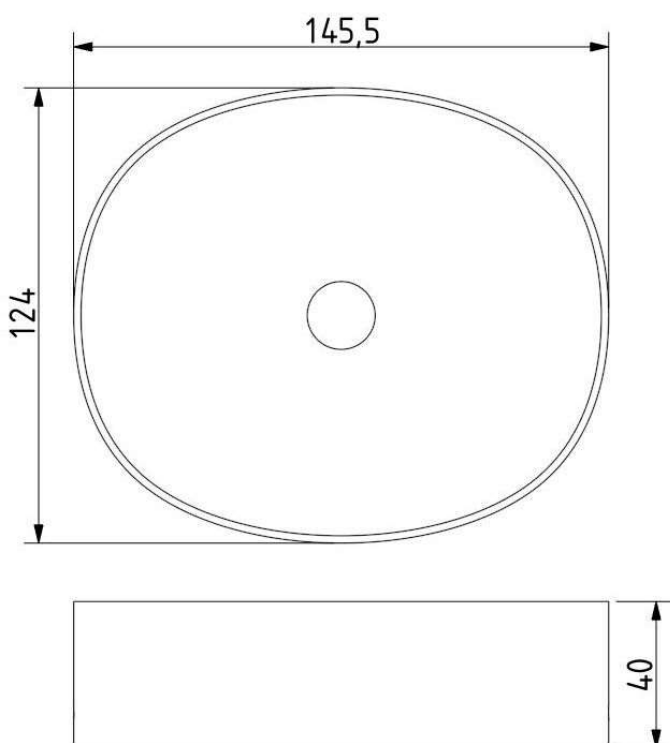
Download

CEILING CANOPY

Dimensions l x w x h [mm]	145,5 x 124 x 40 mm
Weight [kg]	0,4 kg
Material	metal



Drawing



Canopy bracket

