



Description

A sphere as a universal shape, yet whose upper section has been dramatically severed. The clean cut comprises the main characteristic of the Sfera project light – a timeless piece that casts a soft light from within handblown matte opal glass.



Tech. description

The light comprises a glass shade, metal body with Brokis connector and G9 socket, metal cap, and power cord with Brokis connector. The light is hung from a ceiling canopy.

Colours options: https://brokis.sharepoint.com/:b/s/brokis_sp/EZJJsDi_-sVPgVE0q3JbmFQBnZ-g575fZ0UV38cvg6T3sw

CONSTRUCTION SPECIFICATION

Weight:	1,2 kg
Construction material:	glass, metal
Cord length [mm]:	2,000 mm
Mounting:	Ceiling
Environment:	Indoor

DIMENSIONS [mm]



ELECTRICAL SPECIFICATION

Input voltage [V]:	230 V
Frequency [Hz]:	50-60 Hz
Max. power [W]:	30 W
Coverage IP:	20
Socket:	G9
Light source:	-
Energy class:	A+ to E depending on light source

CERTIFICATIONS



DATASHEET

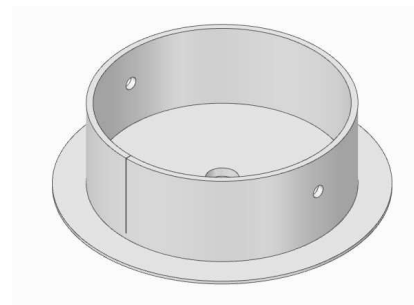
RECOMENDED CANOPY



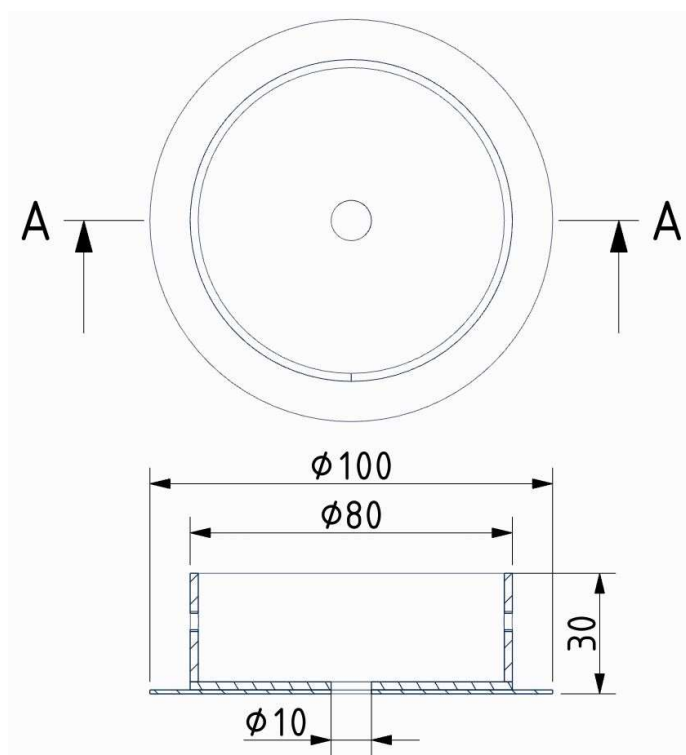
Download

CEILING CANOPY

Dimensions O x w [mm]	100 x 30 mm
Weight [kg]	0,25 kg
Material	metal



Drawing



Canopy bracket

