

# DATASHEET

Type: **SFERA**  
Name: Pendant light  
ID: PC1285  
Designed by: Lucie Koldová



Download

## Description

A sphere as a universal shape, yet whose upper section has been dramatically severed. The clean cut comprises the main characteristic of the Sfera project light – a timeless piece that casts a soft light from within handblown matte opal glass.

## Tech. description

The light comprises a glass shade, metal body with Brokis connector and E27 socket, metal cap, and power cord with Brokis connector. The light is hung from a ceiling canopy.

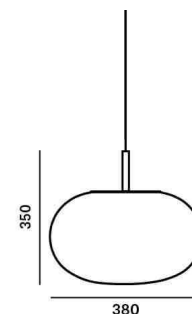


Colours options: [https://brokis.sharepoint.com/:b:/s/brokis\\_sp/EVRqb1y82VhGpcvDRBrnzScB9OnL0opnqpNR1qdPu90j\\_g](https://brokis.sharepoint.com/:b:/s/brokis_sp/EVRqb1y82VhGpcvDRBrnzScB9OnL0opnqpNR1qdPu90j_g)

## CONSTRUCTION SPECIFICATION

**Weight:** 4 kg  
**Construction material:** glass, metal  
**Cord length [mm]:** 2,000 mm  
**Mounting:** Ceiling  
**Environment:** Indoor

## DIMENSIONS [mm]



## ELECTRICAL SPECIFICATION

**Input voltage [V]:** 230 V  
**Frequency [Hz]:** 50-60 Hz  
**Max. power [W]:** 60 W  
**Coverage IP:** 20  
**Socket:** E27  
**Light source:** -  
**Energy class:** A+ to E depending on light source

## CERTIFICATIONS



BROKIS S.R.O.  
ŠPANIĚLOVA 1315/25  
163 00 PRAHA 6 - ŘEPY  
CZECH REPUBLIC

ORG ID 64940799  
VAT ID CZ64940799  
C 42174 MĚSTSKÝ SOUD  
V PRAZE

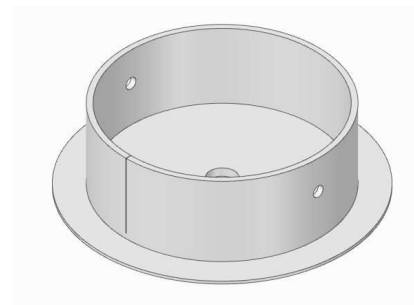
TEL +420 567 211 517  
TECHNICAL@BROKIS.CZ  
INFO@BROKIS.CZ  
WWW.BROKIS.CZ

2022\_03  
PAGE 1

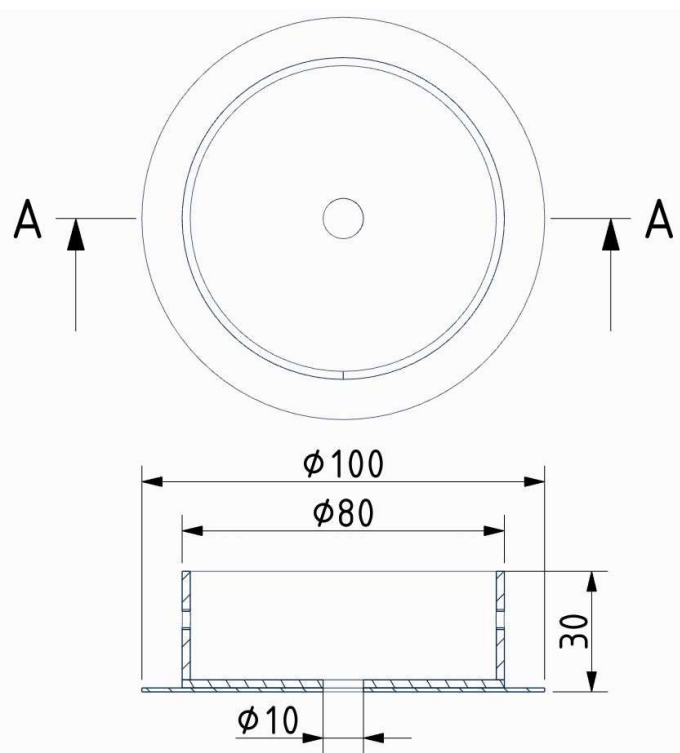


### INNER FIXTURE

Dimensions O x w [mm] 100 x 30 mm  
Weight [kg] 0,25 kg  
Material metal



### Drawing



### Hole placement

