

# DATASHEET

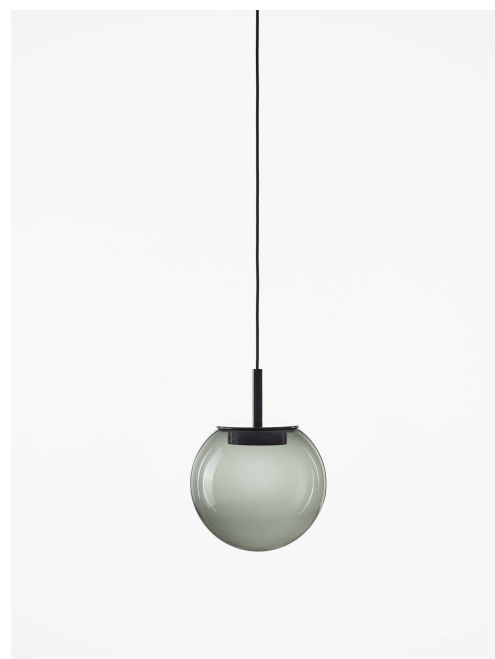
Type: **ORBIS**  
Name: Pendant light  
ID: PC1290  
Designed by: Lucie Koldová



Download

## Description

The Orbis collection is based on a universal shape rendered in handblown smoke glass that has been abruptly severed across the top to accommodate an elegant multiangular metal fixture. Rich in ambience yet starkly minimalist, these new atmospheric lights embody a sense of technicism. A diffusor conceals an LED panel within the fixture and softens the light as it radiates outwards from its source, while the multiangle serves to house a special BROKIS connector engineered for easy installation and arrangement of grand lighting compositions. Additional variability is provided by a choice of subtle grey or brown smoke glass, with the metal fixture finished in a black powder coating that underscores the gloss of the transparent glass. These refined components come together to create an unmistakable interior charm well suited to large restaurant and hotel spaces as well as intimate private interiors.



## Tech. description

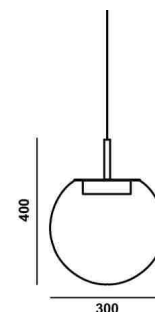
The luminaire consists of a glass shade, metal frame with Brokis connector and LED module, metal caps and power cable with Brokis connector. The luminaire is mounted on a ceiling canopy, in which the electronics are stored.

Colours options: [https://brokis.sharepoint.com/:b:/s/brokis\\_sp/EQglxkY4ULJLoUSKUXsBPeeBexOCaf4OBmlAnxu4WHJfEg](https://brokis.sharepoint.com/:b:/s/brokis_sp/EQglxkY4ULJLoUSKUXsBPeeBexOCaf4OBmlAnxu4WHJfEg)

## CONSTRUCTION SPECIFICATION

**Weight:** 4 kg  
**Construction material:** glass, metal  
**Cord length [mm]:** 2,200 mm  
**Mounting:** Ceiling  
**Environment:** Indoor

## DIMENSIONS [mm]



## ELECTRICAL SPECIFICATION

**Input voltage [V]:** 100 - 240 V  
**Frequency [Hz]:** 50-60 Hz  
**Max. power [W]:** 5.5 W  
**Coverage IP:** 20  
**Socket:** LED module  
**Light source:** -  
**Energy class:** E

## CERTIFICATIONS



BROKIS S.R.O.  
ŠPANILOVA 1315/25  
163 00 PRAHA 6 - ŘEPY  
CZECH REPUBLIC

ORG ID 64940799  
VAT ID CZ64940799  
C 42174 MĚSTSKÝ SOUD  
V PRAZE

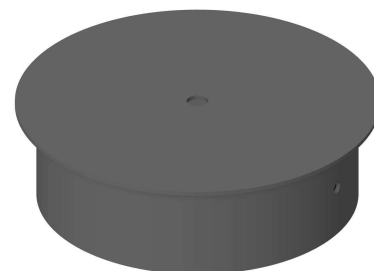
TEL +420 567 211 517  
TECHNICAL@BROKIS.CZ  
INFO@BROKIS.CZ  
WWW.BROKIS.CZ

2022\_03  
PAGE 1

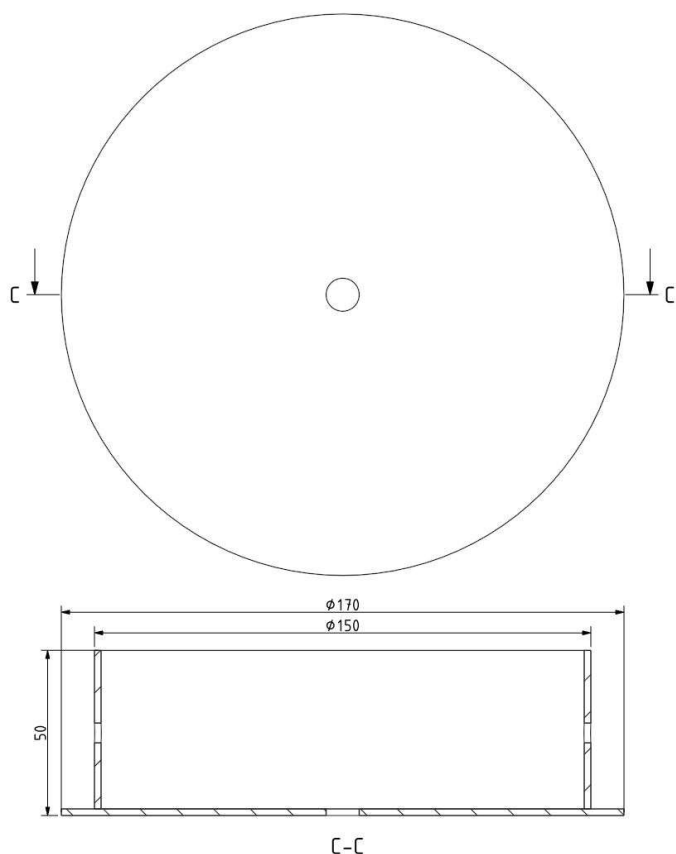


### INNER FIXTURE

Dimensions O x w [mm] 170 x 50 mm  
Weight [kg] 1.2 kg  
Material metal



### Drawing



### Hole placement

