

# DATASHEET



**Name** Table lamp

**Type** Muffins 02

**ID** PC850

**Description** The timeless Muffins collection represents an extraordinary lighting experience. Since its market debut, it has taken on an iconic status and become a symbol of the Brokis brand. The sublimity of the design lies in the masterful combination of delicately contoured glass and solid wood.

**Tech. description** The lamp consists of a solid wooden base, which houses the bulb socket, and a glass shade.



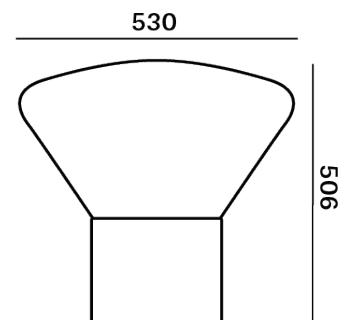
## CONSTRUCTION SPECIFICATION

<b>Weight [kg]</b>	13 kg
<b>Construction material</b>	glass, wood, metal
<b>Cord length [mm]</b>	2,220 mm
<b>Mounting</b>	Table
<b>Environment</b>	Indoor

## ELECTRICAL SPECIFICATION

<b>Input voltage [V]</b>	230 VDC
<b>Frequency [Hz]</b>	50-60 Hz
<b>Max. power [W]</b>	60 W
<b>Coverage IP</b>	20
<b>Socket</b>	E27
<b>Light source</b>	-
<b>Energy class</b>	A+ to E depending on light source

## Dimensions [mm]

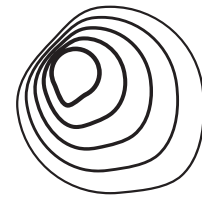


## Certifications



# DATASHEET

## RECOMMENDED BULBS



BROKIS



### SEGULA 50296

<b>Socket</b>	E27
<b>Type</b>	LED filament
<b>Lamp wattage [W]</b>	6 W
<b>Input voltage [V]</b>	220 - 240 VAC
<b>Energy class</b>	A+
<b>Flux[lm]</b>	470 lm
<b>Light Colour [K]</b>	2,200 K
<b>CRI</b>	90+
<b>Lifespan [h]</b>	20,000h
<b>Dimmable</b>	yes
<b>Dimensions h x w [mm]</b>	142 x 62 mm