

FLOS

THE TRACKING MAGNET SURFACE/SUSPENSION PROFILE ON BOARD DIMMER COMPATIBLE

Mounting

Pendant, Surface

Voltage (V)

48

Notes

Version compatible with "On board dimmer" luminaires and version compatible with system controlled luminaires (DALI, 1-10V, FLOS SMART CONTROL) available. Corners, connectors and accessories common for the two profile versions. Feed connector, intermediated connector, end-caps and attachment accessories to be ordered separately. Mechanical 90° corners available in the same plane (symmetrical element for left and right corner) and 90° symmetrical internal corners in a different plane. Intermediate connectors to be ordered separately if electrical continuity on corners is required. Corners do not admit installation of spots.

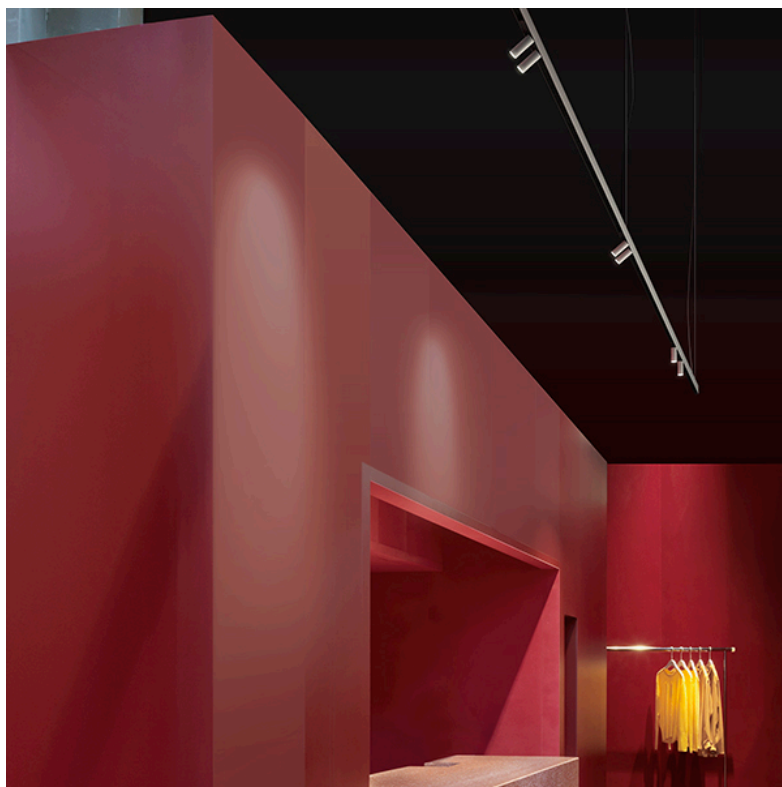


The Tracking Magnet Surface/
Suspension Profile On Board Dimmer
compatible
designed by FLOS Architectural

PHYSICAL

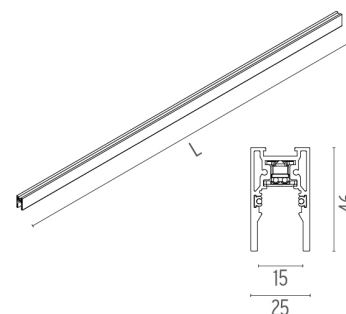
Track length

1000



Electromechanical profile for surface-mounting, available in lengths from 1m to 3m.

06.5060.40	White
06.5060.05	Chrome
06.5060.14	Black



FLOS

THE TRACKING MAGNET SURFACE/SUSPENSION PROFILE ON BOARD DIMMER COMPATIBLE

Mounting

Pendant, Surface

Voltage (V)

48

Notes

Version compatible with "On board dimmer" luminaires and version compatible with system controlled luminaires (DALI, 1-10V, FLOS SMART CONTROL) available. Corners, connectors and accessories common for the two profile versions. Feed connector, intermediated connector, end-caps and attachment accessories to be ordered separately. Mechanical 90° corners available in the same plane (symmetrical element for left and right corner) and 90° symmetrical internal corners in a different plane. Intermediate connectors to be ordered separately if electrical continuity on corners is required. Corners do not admit installation of spots.



**The Tracking Magnet Surface/
Suspension Profile On Board Dimmer
compatible**
designed by FLOS Architectural

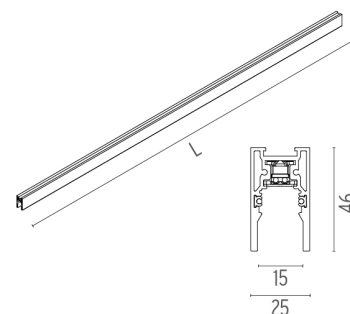
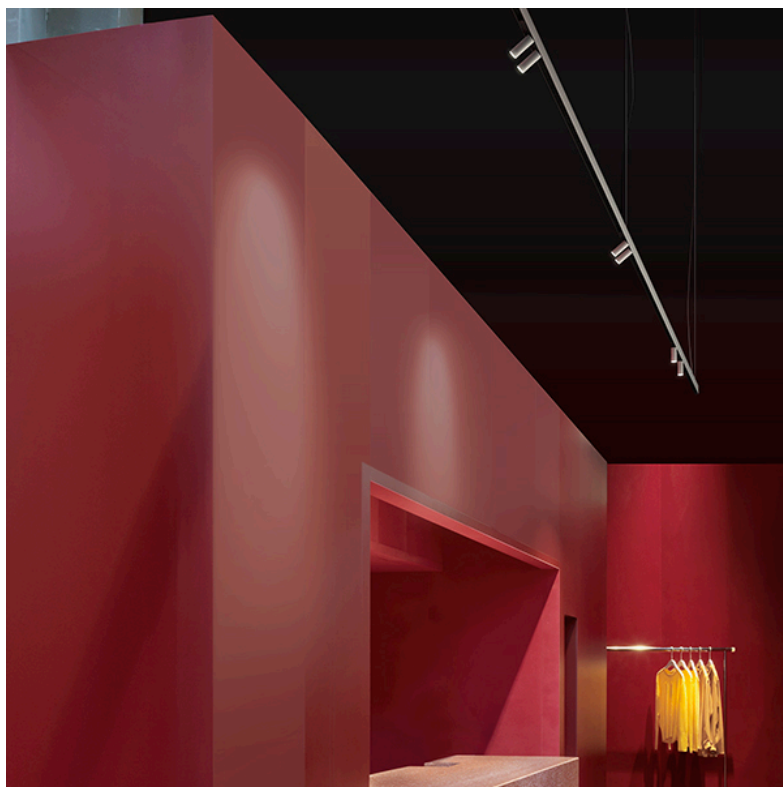
PHYSICAL

Track length

1500

Electromechanical profile for surface-mounting, available in lengths from 1m to 3m.

- 06.5061.40 White
- 06.5061.05 Chrome
- 06.5061.14 Black



FLOS

THE TRACKING MAGNET SURFACE/SUSPENSION PROFILE ON BOARD DIMMER COMPATIBLE

Mounting

Pendant, Surface

Voltage (V)

48

Notes

Version compatible with "On board dimmer" luminaires and version compatible with system controlled luminaires (DALI, 1-10V, FLOS SMART CONTROL) available. Corners, connectors and accessories common for the two profile versions. Feed connector, intermediated connector, end-caps and attachment accessories to be ordered separately. Mechanical 90° corners available in the same plane (symmetrical element for left and right corner) and 90° symmetrical internal corners in a different plane. Intermediate connectors to be ordered separately if electrical continuity on corners is required. Corners do not admit installation of spots.



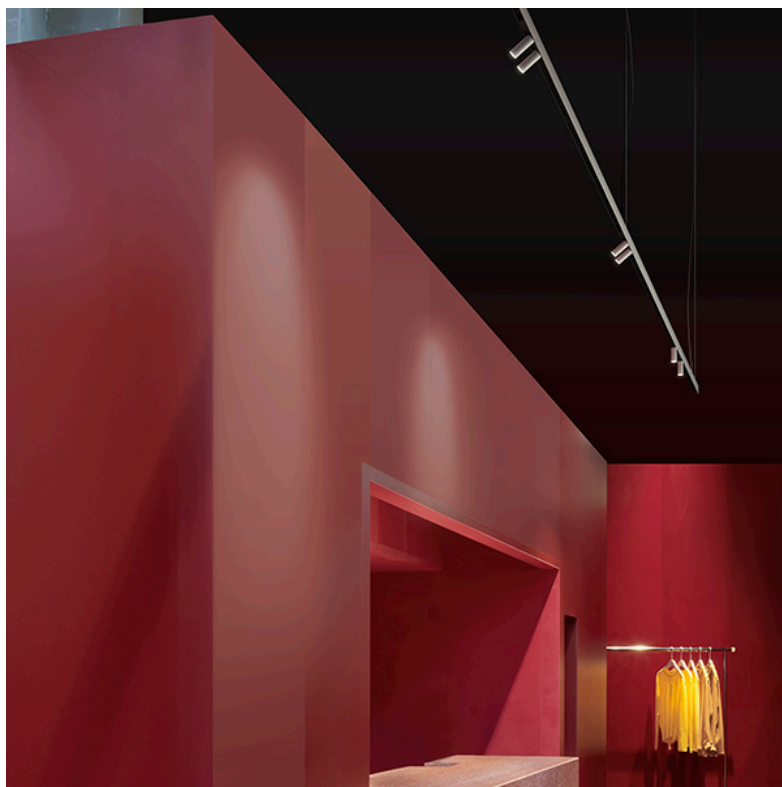
**The Tracking Magnet Surface/
Suspension Profile On Board Dimmer
compatible**
designed by FLOS Architectural

PHYSICAL

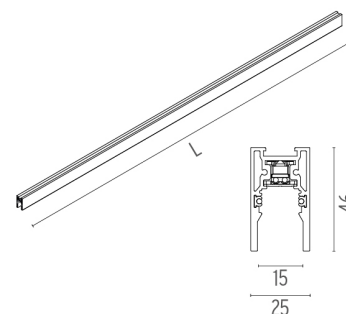
Track length

2000

Electromechanical profile for surface-mounting, available in lengths from 1m to 3m.



- 06.5062.40 White
- 06.5062.05 Chrome
- 06.5062.14 Black



FLOS

THE TRACKING MAGNET SURFACE/SUSPENSION PROFILE ON BOARD DIMMER COMPATIBLE

Mounting

Pendant, Surface

Voltage (V)

48

Notes

Version compatible with "On board dimmer" luminaires and version compatible with system controlled luminaires (DALI, 1-10V, FLOS SMART CONTROL) available. Corners, connectors and accessories common for the two profile versions. Feed connector, intermediated connector, end-caps and attachment accessories to be ordered separately. Mechanical 90° corners available in the same plane (symmetrical element for left and right corner) and 90° symmetrical internal corners in a different plane. Intermediate connectors to be ordered separately if electrical continuity on corners is required. Corners do not admit installation of spots.



The Tracking Magnet Surface/
Suspension Profile On Board Dimmer
compatible
designed by FLOS Architectural

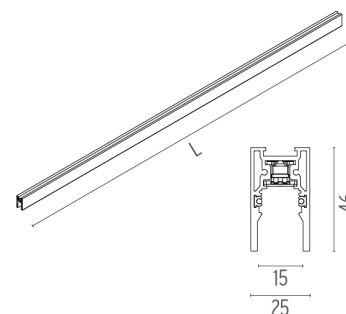
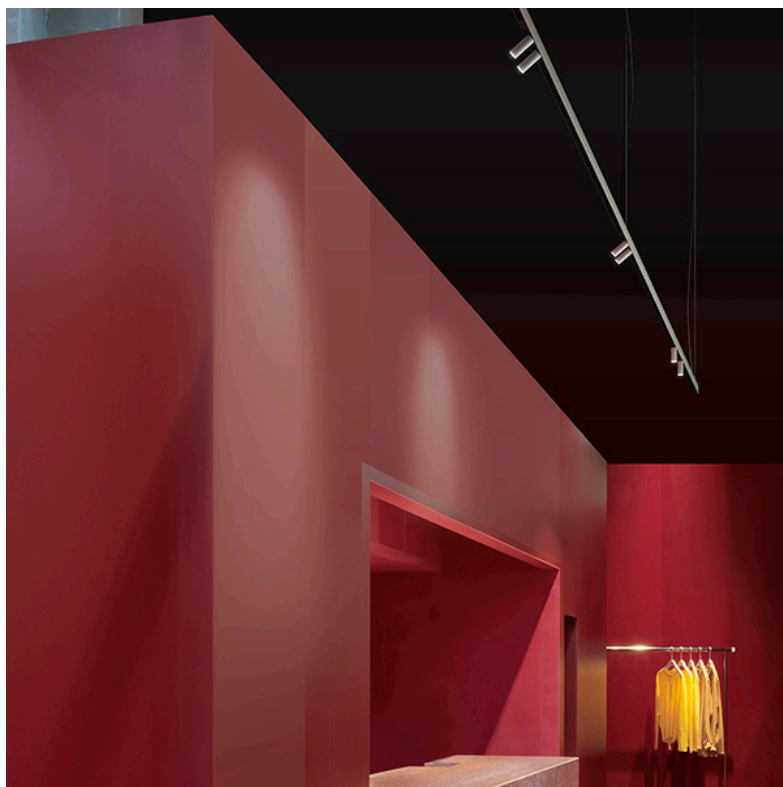
PHYSICAL

Track length

2500

Electromechanical profile for surface-mounting, available in lengths from 1m to 3m.

- 06.5063.40 White
- 06.5063.05 Chrome
- 06.5063.14 Black





STAY TUNED! Our Architectural, Outdoor and Soft Architecture catalogues are about to change soon. In the meantime, take a look at the new Flos.com

home / products / professional / systems / The Tracking Magnet Evolution / 06.5064

language Quick search



The Tracking Magnet Surface/Suspension Profile On Board Dimmer compatible

Save as PDF

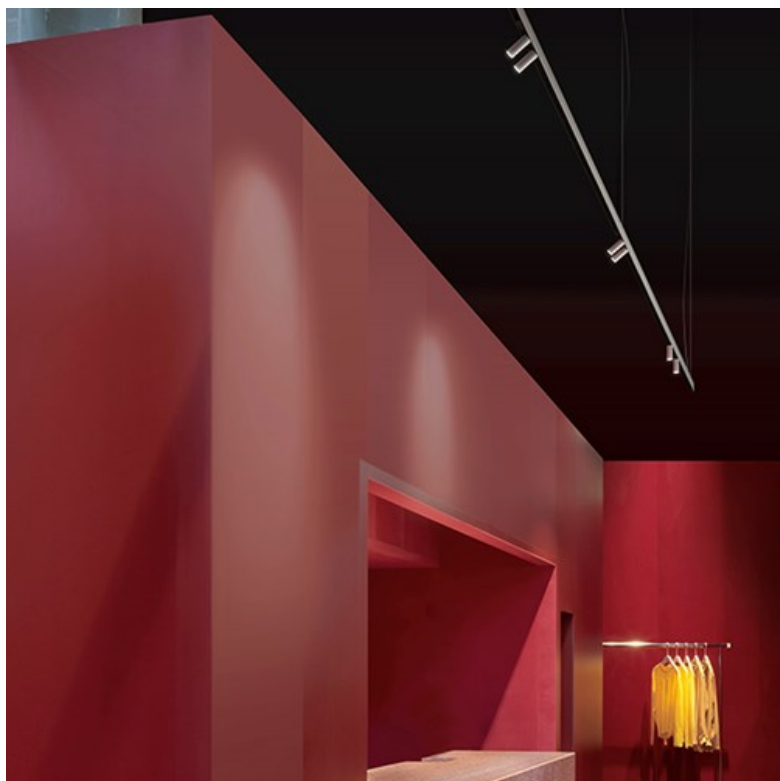
By FLOS Architectural

- Product
- Accessories
- Power Supply
- Downloads

Mounting	Pendant, Surface
Voltage (V)	48
Notes	Version compatible with "On board dimmer" luminaries and version compatible with system controlled luminaries (DALI, 1-10V, FLOS SMART CONTROL) available. Corners, connectors and accessories common for the two profile versions. Feed connector, intermediated connector, end-caps and attachment accessories to be ordered separately. Mechanical 90° corners available in the same plane (symmetrical element for left and right corner) and 90° symmetrical internal corners in a different plane. Intermediate connectors to be ordered separately if electrical continuity on corners is required. Corners do not admit installation of spots.

PHYSICAL

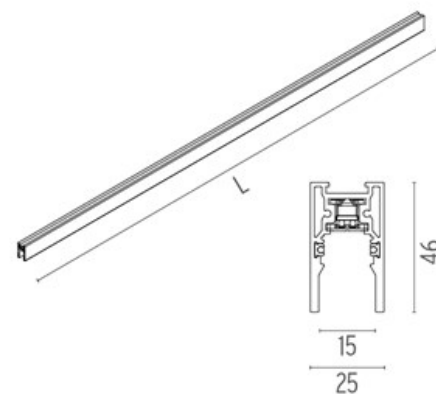
Track Length	3000
---------------------	------



Click on a SKU below to switch model view

Electromechanical profile for surface-mounting, available in lengths from 1m to 3m.

- 06.5064.40 White
- 06.5064.14 Black



FLOS

The Tracking Magnet Surface/Suspension Profile On Board Dimmer compatible . Accessories

Power Supply



○ 60.8919

LED power supply source for remote installation, 48V/320W, 100/240 Vac
For the sizing of the installation keep a safety margin of 15% of the maximum power of the LED power source.



○ 60.9024

LED power supply source for remote installation, 48V/185W, 100/240 Vac
For the sizing of the installation keep a safety margin of 15% of the maximum power of the LED power source.



The Tracking Magnet Surface/Suspension Profile On Board Dimmer compatible
designed by FLOS Architectural

Electromechanical profile for surface-mounting, available in lengths from 1m to 3m.

- 06.5063.40 White
- 06.5063.05 Chrome
- 06.5063.14 Black

Mounting



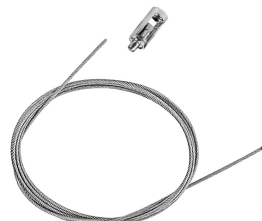
○ 60.3014.11
● 60.3014.14

Suspension rod with 1m rose, M6 thread



○ 60.3097.11
● 60.3097.14

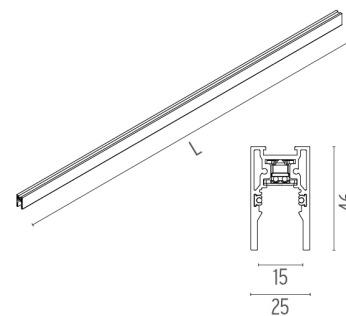
1-m suspension rod with ceiling rose with m6 thread



○ 08.8634.00

4m suspension steel cable

Steel cable, recommended if a corner is included in the light structure, where tilting will not occur in any case



The Tracking Magnet Surface/Suspension Profile On Board Dimmer compatible . Accessories



○ 08.0615.00
Ceiling fixing kit
 2 unit kit.



○ 08.0616.00
Ceiling fixing kit
 2 unit kit.

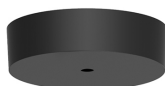


**The Tracking Magnet Surface/
 Suspension Profile On Board Dimmer
 compatible**
 designed by FLOS Architectural

Electromechanical profile for surface-mounting, available in lengths from 1m to 3m.

- 06.5063.40 White
- 06.5063.05 Chrome
- 06.5063.14 Black

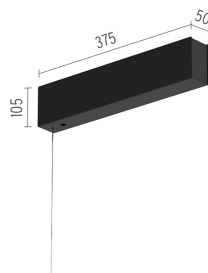
Electrical



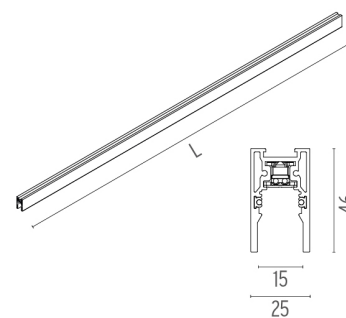
● 08.8883.40A
 ● 08.8883.14A
Surface rose
 Driver not included. To be ordered separately.



● 08.8889.40
 ● 08.8889.14
**Recessed power supply
 rose**
 Equipment not included. To be ordered separately.



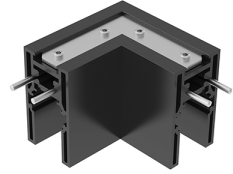
● 08.0600.40
 ● 08.0600.14
**Surface power supply with
 housing for the driver**
 Driver included. 320W / 48Vdc.



FLOS

THE TRACKING MAGNET SURFACE/SUSPENSION PROFILE 90° MECHANICAL CORNER

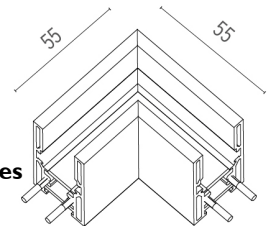
Mounting Pendant, Surface
Voltage (V) 48
Notes 90° mechanical corner. To create electrical continuity, order with the flexible intermediate connector.



**The Tracking Magnet Surface/
 Suspension Profile 90° Mechanical
 Corner**
 designed by FLOS Architectural

Electromechanical profile for surface-mounting, available in lengths from 1m to 3m.

- 06.5015.40 White
- 06.5015.05 Chrome
- 06.5015.14 Black



The Tracking Magnet Surface/Suspension Profile 90° Mechanical Corner . Accessories

Mounting



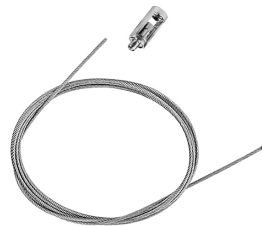
- 60.3014.11
- 60.3014.14

**Suspension rod with 1m
 rose. M6 thread**



- 60.3097.11
- 60.3097.14

**1-m suspension rod with
 ceiling rose with m6 thread**



- 08.8634.00

**4m suspension steel
 cable**

Steel cable, recommended if a corner is included in the light structure, where tilting will not occur in any case

FLOS

The Tracking Magnet Surface/Suspension Profile 90° Mechanical Corner . Accessories



○ 08.0615.00

Ceiling fixing kit

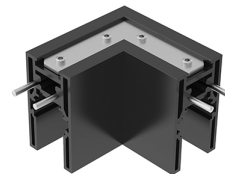
2 unit kit.



○ 08.0616.00

Ceiling fixing kit

2 unit kit.



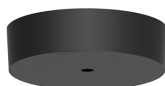
The Tracking Magnet Surface/ Suspension Profile 90° Mechanical Corner

designed by FLOS Architectural

Electromechanical profile for surface-mounting, available in lengths from 1m to 3m.

● 06.5015.40	White
● 06.5015.05	Chrome
● 06.5015.14	Black

Electrical



● 08.8883.40A

● 08.8883.14A

Surface rose

Driver not included. To be ordered separately.

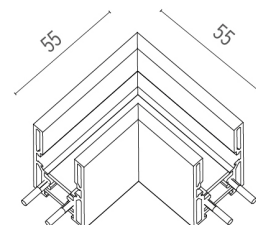


● 08.8889.40

● 08.8889.14

Recessed power supply rose

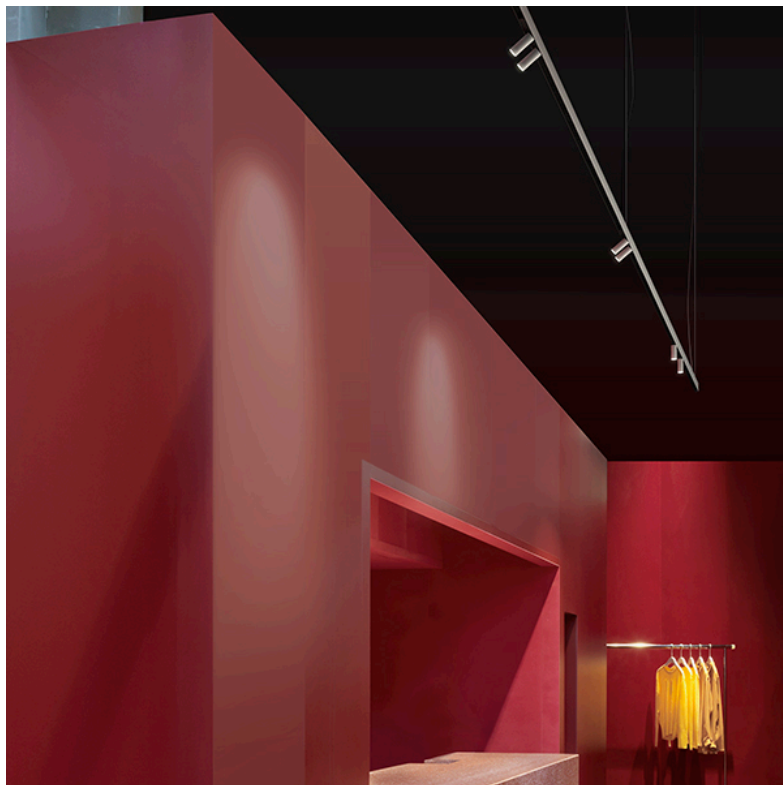
Equipment not included. To be ordered separately.



FLOS

THE TRACKING MAGNET SURFACE PROFILE INNER MECHANICAL CORNER

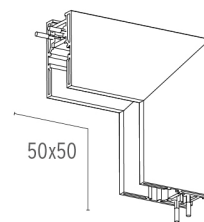
Mounting	Surface
Voltage (V)	48
Notes	Inner mechanical corner. Only for surface version.



The Tracking Magnet Surface Profile Inner Mechanical Corner designed by FLOS Architectural

Electromechanical profile for surface-mounting, available in lengths from 1m to 3m.

● 06.5016.40	White
● 06.5016.05	Chrome
● 06.5016.14	Black



The Tracking Magnet Surface Profile Inner Mechanical Corner . Accessories

Mounting



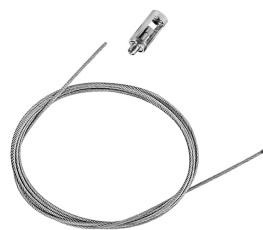
- 60.3014.11
- 60.3014.14

Suspension rod with 1m rose. M6 thread



- 60.3097.11
- 60.3097.14

1-m suspension rod with ceiling rose with m6 thread



- 08.8634.00

4m suspension steel cable

Steel cable, recommended if a corner is included in the light structure, where tilting will not occur in any case

FLOS

The Tracking Magnet Surface Profile Inner Mechanical Corner . Accessories



○ 08.0615.00

Ceiling fixing kit

2 unit kit.



○ 08.0616.00

Ceiling fixing kit

2 unit kit.



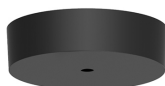
The Tracking Magnet Surface Profile Inner Mechanical Corner

designed by FLOS Architectural

Electromechanical profile for surface-mounting, available in lengths from 1m to 3m.

○ 06.5016.40	White
○ 06.5016.05	Chrome
● 06.5016.14	Black

Electrical



○ 08.8883.40A

● 08.8883.14A

Surface rose

Driver not included. To be ordered separately.

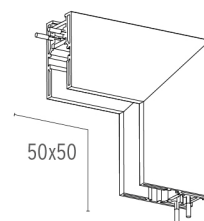


○ 08.8889.40

● 08.8889.14

Recessed power supply rose

Equipment not included. To be ordered separately.



FLOS

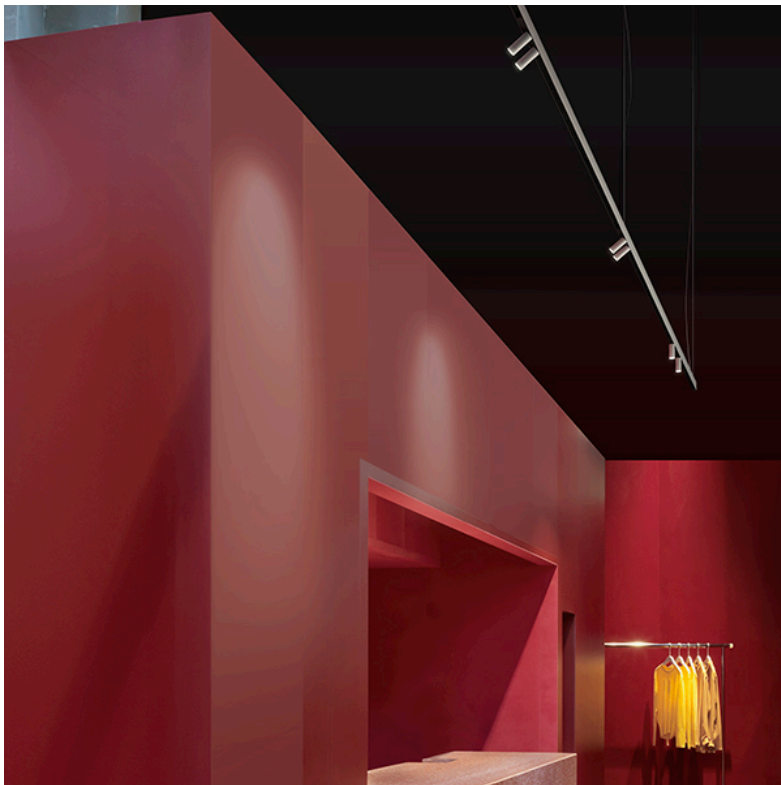
THE TRACKING MAGNET SURFACE/SUSPENSION PROFILE END CAPS

Mounting

Pendant, Surface

Notes

End caps. To be ordered separately. 2 unit kit.



The Tracking Magnet Surface/ Suspension Profile End Caps

designed by FLOS Architectural

Electromechanical profile for surface-mounting, available in lengths from 1m to 3m.

● 06.5017.40	White
● 06.5017.05	Chrome
● 06.5017.14	Black

THE TRACKING MAGNET PROFILE FEED CONNECTOR

Mounting

Ceiling recessed, Pendant, Surface, Wall recessed

Voltage (V)

48



The Tracking Magnet Profile Feed Connector

designed by FLOS Architectural

Feed connector

● 08.0611.14

Black



133

THE TRACKING MAGNET PROFILE INTERMEDIATE CONNECTOR STRAIGHT

Mounting
Voltage (V)

Ceiling recessed, Pendant, Surface, Wall recessed
48

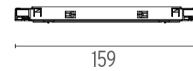


**The Tracking Magnet Profile
Intermediate Connector Straight**
designed by FLOS Architectural

Intermediate connector

● 08.0612.14

Black



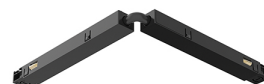
THE TRACKING MAGNET PROFILE INTERMEDIATE CONNECTOR FLEXIBLE/ELECTRICAL CORNER

Mounting

Ceiling recessed, Pendant, Surface, Wall recessed

Voltage (V)

48



**The Tracking Magnet Profile
Intermediate Connector Flexible/
Electrical Corner**
designed by FLOS Architectural

Intermediate connector

● 08.06.14.14

Black

