

Bugia, design by Studio Italia Design, 2016

Decke

Kompakte, runde Formen mit raffinierten Ausführungen und einem Mittelpunkt, der wie ein Edelstein funkelt. Beim Einschalten überrascht Bugia durch den unerwarteten Effekt ihres Lichts. Ein unerwartet harmonisches Gleichgewicht zwischen direktem und indirektem Licht, das sowohl nach unten wie auch zur Decke gestrahlt wird. Eine ganze Familie von Deckenleuchten, in Single-, Double-, Triple- und jetzt auch Mega-Versionen.



Bugia Single	Lichtquelle	Armaturo Metal	Diffusor: Methacrylate	Code
	LED • 3000 K • 1 x 15W 1155 lm • 220-240V • CRI 90 • MacAdam 3-Step LED and driver included	● Matte White 9010	Glossy Copper	161032
		● Matte White 9010	Chrome	161031
		● Matte White 9010	Gold	161030
		● Matte White 9010	White	161029
	LED • 2700 K • 1 x 15W 1092 lm • 220-240V • CRI 90 • MacAdam 3-Step LED and driver included	● Matte White 9010	Glossy Copper	161028
		● Matte White 9010	Chrome	161027
		● Matte White 9010	Gold	161026
		● Matte White 9010	White	161025

Nettogewicht: 0.80 kg

Bruttogewicht: 1.52 kg

Pakete: N°2

Volumen: 0.017 m³

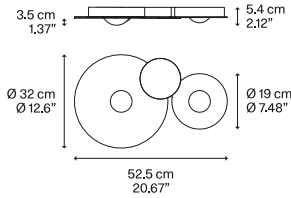


IP20

Energy Saving

Dim Triac

Bugia Double



Lichtquelle

- LED
- 3000 K
 - 2 x 15W | 2310 lm
 - 220-240V
 - CRI 90
 - MacAdam 3-Step

LED and driver included

- LED
- 2700 K
 - 2 x 15W | 2184 lm
 - 220-240V
 - CRI 90
 - MacAdam 3-Step

LED and driver included

Armaturo Metal

● Matte White 9010

● Matte White 9010

● Matte White 9010

● Matte White 9010

● Matte White 9010

● Matte White 9010

● Matte White 9010

● Matte White 9010

Diffusor: Methacrylate

● Glossy Copper

|| Chrome

● Gold

● White

● Glossy Copper

|| Chrome

● Gold

● White

Code

161040

161039

161038

161037

161036

161035

161033

161033

Nettogewicht: 2.05 kg

Bruttogewicht: 4.91 kg

Pakete: N°2

Volumen: 0.062 m³

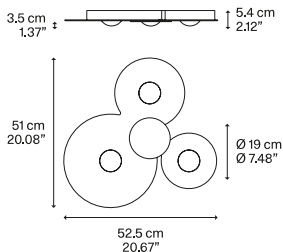


IP20

Energy Saving

Dim Triac

Bugia Triple



Lichtquelle

- LED
- 3000 K
 - 3 x 15W | 3465 lm
 - 220-240V
 - CRI 90
 - MacAdam 3-Step

LED and driver included

- LED
- 2700 K
 - 3 x 15W | 3276 lm
 - 220-240V
 - CRI 90
 - MacAdam 3-Step

LED and driver included

Armaturo Metal

● Matte White 9010

● Matte White 9010

● Matte White 9010

● Matte White 9010

● Matte White 9010

● Matte White 9010

● Matte White 9010

● Matte White 9010

Diffusor: Methacrylate

● Glossy Copper

|| Chrome

● Gold

● White

● Glossy Copper

|| Chrome

● Gold

● White

Code

161048

161047

161046

161045

161044

161043

161042

161041

Nettogewicht: 2.80 kg

Bruttogewicht: 5.66 kg

Pakete: N°2

Volumen: 0.062 m³

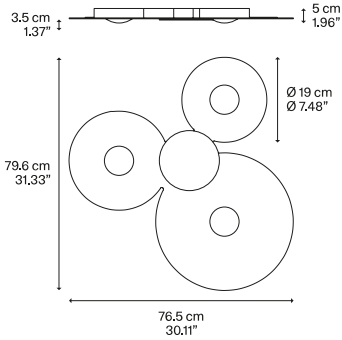


IP20

Energy Saving

Dim Triac

Bugia Mega



Lichtquelle

- LED
- 3000 K
 - 3 × 15W | 3825 lm
 - 220-240V
 - CRI 90
 - MacAdam 3-Step

LED and driver included

- LED
- 2700 K
 - 3 × 15W | 3600 lm
 - 220-240V
 - CRI 90
 - MacAdam 3-Step

LED and driver included

Armatur Metal

Matte White 9010

Matte White 9010

Matte White 9010

Matte White 9010

Matte White 9010

Matte White 9010

Matte White 9010

Matte White 9010

Diffusor: Methacrylate

Glossy Copper

Chrome

Gold

White

Glossy Copper

Chrome

Gold

White

Code

161056

161055

161054

161053

161052

161051

161050

161049

Nettogewicht: 4.40 kg

Bruttogewicht: 8.80 kg

Pakete: N°2

Volumen: 0.117 m³

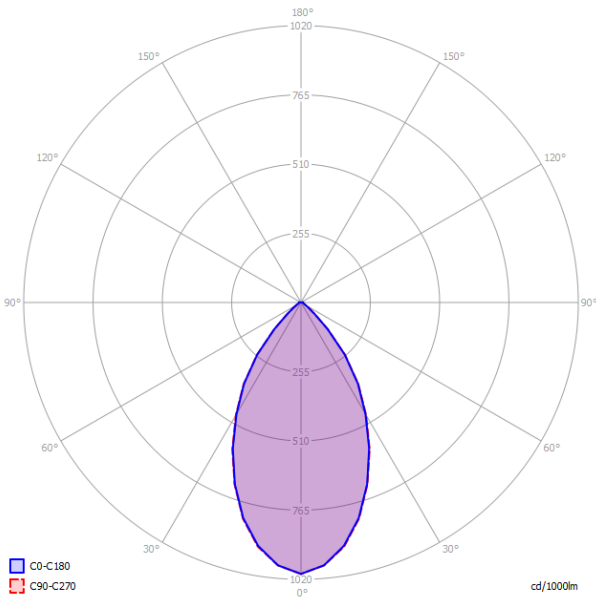


IP20

Energy Saving

Dim Triac

Polardiagramm



Bugia Single

- LED
- 3000 K
 - 3 × 15W | 3825 lm
 - 220-240V
 - CRI 90
 - MacAdam 3-Step

LED and driver included

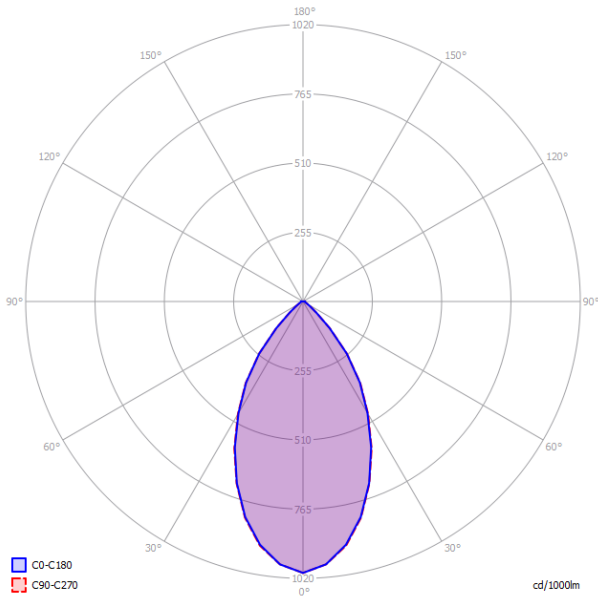
- LED
- 2700 K
 - 3 × 15W | 3600 lm
 - 220-240V
 - CRI 90
 - MacAdam 3-Step

LED and driver included

LODES

Polardiagramm

Bugia Double



- LED
- 3000 K
 - 3 × 15W | 3825 lm
 - 220-240V
 - CRI 90
 - MacAdam 3-Step

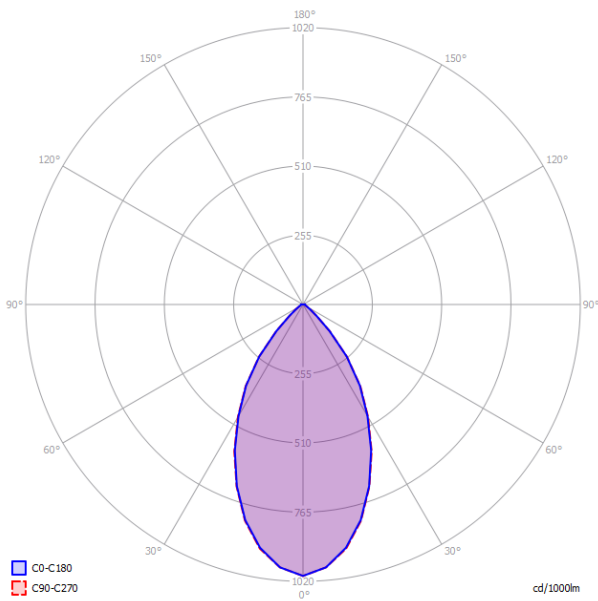
LED and driver included

- LED
- 2700 K
 - 3 × 15W | 3600 lm
 - 220-240V
 - CRI 90
 - MacAdam 3-Step

LED and driver included

Polardiagramm

Bugia Triple



- LED
- 3000 K
 - 3 × 15W | 3825 lm
 - 220-240V
 - CRI 90
 - MacAdam 3-Step

LED and driver included

- LED
- 2700 K
 - 3 × 15W | 3600 lm
 - 220-240V
 - CRI 90
 - MacAdam 3-Step

LED and driver included