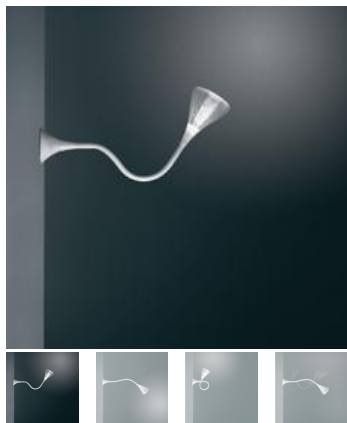


PRODUKTDATENBLATT

Pipe Wall/Ceiling LED 2700K



DESIGN:

Herzog & De Meuron
2007

MATERIAL:

Polycarbonate, steel, silicon

BESCHREIBUNG:

Wall/ceiling lamp with flexible painted steel structure, covered with a natural anti-yellowing silicone case; wall attachment and diffuser in transparent rubber-effect painted polycarbonate; mirror aluminium reflector with random perforations; painted steel bottom plate. The new internal diffuser is reinterpreting the old fluorescent lamp using a modern LED source, this guarantees the same optical performance with less power consumption and a better quality of light.

AUSWAHL

LED

transparent

ARTIKELNUMMER

0671W10A

Lichtverteilung



Dimmable

TECHNISCHES DATENBLATT

FUNKTIONEN

Produktname:	Pipe Wall/Ceiling LED 2700K
Artikelnummer:	0671W10A
Farbe:	transparent
Material:	Polycarbonate, steel, silicon
Serie:	Design
Anwendungsbereich:	Innenbeleuchtung

DIMENSION

Höhe:	cm 118
Breite:	cm 21
Durchmesser Fuß:	cm 18
Widerstand:	IK6
Glühdrahttest:	960 °

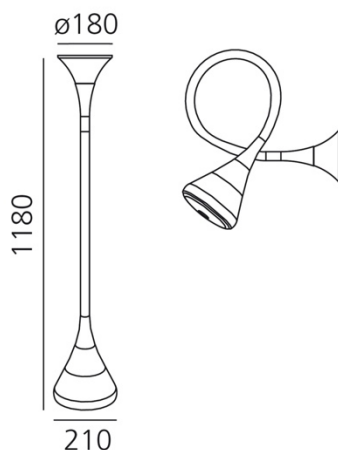
INKLUSIVE LEUCHTMITTEL

Kategorie:	LED COB
Anzahl:	1
Watt:	27W
Farbtemperatur(K):	2700K
Baureihe:	A

LUMINAIR

Power Supply:	Elektronisch Integriert
Watt:	27W
Lichtstrom(lm):	1763lm
CCT:	2700K
Efficiency:	67%
Efficacy:	65.30lm/W
CRI:	90
Dimmable Typology:	Push

DIMENSION



FARBE

