

IC Lights Ceiling/Wall 1

by Michael Anastassiades , 2014



Wall-ceiling lamp providing diffused light. Frame in brass, brushed and transparent varnished or chrome steel. Blown glass opal diffuser.

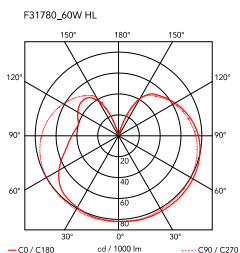
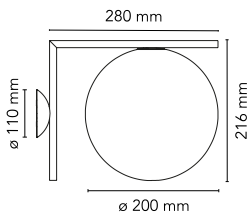


Mounting	Ceiling and wall
Environment	Indoor
Weight	2.0 Kg
Light sources available	1 x RF26261 LED 10W E14 800lm 2700K [e] Dimmable 1 x RF26260 LED 10W E14 900lm 3000K [e] Dimmable 1 x RF30263 LED 8W E14 900lm 2700K [e] Dimmable 1 x RF30264 LED 8W E14 900lm 3000K [e] Dimmable

Emergency	Without
Voltage	220-250V
Power	MAX 60W
Battery	No
Supply included	No

Materials Blown glass, Brass, Steel

Colors	<ul style="list-style-type: none"> F3178035 - Red burgundy F3178030 - Black F3178057 - Chrome F3178059 - Brushed Brass
---------------	--

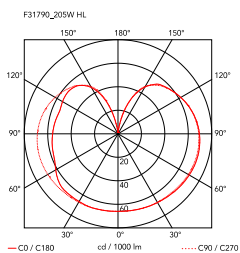
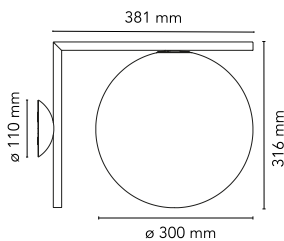


IC Lights Ceiling/Wall 2

by Michael Anastassiades , 2014



Wall-ceiling lamp providing diffused light. Frame in brass, brushed and transparent varnished or chrome steel. Blown glass opal diffuser.



Mounting	Ceiling and wall
Environment	Indoor
Weight	3.7 Kg
Light sources available	1 x RF26259 LED 17W E27 2700K [e] 1900lm Dimmable 1 x RF26258 LED 17W E27 3000K [e] 2000lm Dimmable 1 x RF28665 LED 15W E27 2700K [e] 2000lm Dimmable 1 x RF28666 LED 15W E27 3000K [e] 2000lm Dimmable

Emergency	Without
Voltage	220-250V
Power	MAX 205W
Battery	No
Supply included	No

Materials Blown glass, Brass, Steel

Colors	<ul style="list-style-type: none"> ● F3179035 - Red burgundy ● F3179030 - Black ● F3179057 - Chrome ● F3179059 - Brushed Brass
---------------	--

Certificate

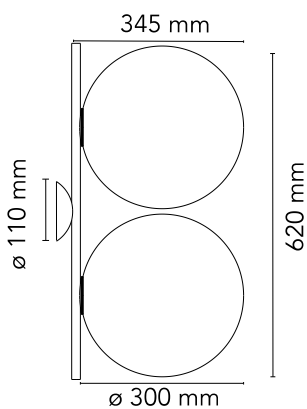


IC Lights C/W2 Double

by Michael Anastassiades , 2020



Wall-ceiling lamp providing diffused light. Frame in brass, brushed and transparent varnished or chrome steel. Blown glass opal diffuser.



Mounting	Ceiling and wall
Environment	Indoor
Weight	4.3 Kg
Light sources available	2 x RF28665 LED 15W E27 2700K 2000lm [i] Dimmable 2 x RF28666 LED 17W E27 2700K [e] 1900lm Dimmable 2 x RF26259 LED 17W E27 2700K [e] 1900lm Dimmable 2 x RF26258 LED 17W E27 3000K [e] 2000lm Dimmable
Emergency	Without
Voltage	220-250V
Power	MAX 60W
Battery	No
Supply included	No
Materials	Blown glass, Brass, Steel
Colors	<ul style="list-style-type: none"> F3159035 - Red burgundy F3159030 - Black F3159057 - Chrome F3159059 - Brushed Brass

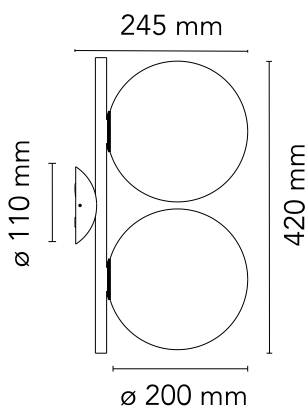


IC Lights C/W1 Double

by Michael Anastassiades , 2020



Wall-ceiling lamp providing diffused light. Frame in brass, brushed and transparent varnished or chrome steel. Blown glass opal diffuser.



Mounting	Ceiling and wall
Environment	Indoor
Weight	2.7 Kg
Light sources available	2 x RF26261 LED 10W E14 800lm 2700K [e] Dimmable 2 x RF26260 LED 10W E14 900lm 3000K [e] Dimmable 2 x RF30263 LED 8W E14 900lm 2700K [e] Dimmable 2 x RF30264 LED 8W E14 900lm 3000K [e] Dimmable
Emergency	Without
Voltage	220-250V
Power	MAX 60W
Battery	No
Supply included	No
Materials	Blown glass, Brass, Steel
Colors	<ul style="list-style-type: none"> F3157035 - Red burgundy F3157030 - Black F3157057 - Chrome F3157059 - Brushed Brass

