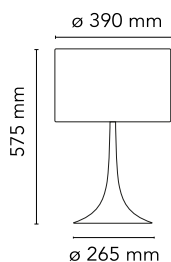


Spun Light Table 1

■ F6610009 - White

Designed by Sebastian Wrong

Table/desk lamp providing diffused light. Spun metal frame and diffuser, die-cast aluminum diffuser support arms and lampholder support, painted in the colors indicated below. White, injection-molded polycarbonate diffuser supports. Sandblasted pressed glass upper diffuser screen. On the cable there is the electronic dimmer which allows the regulation of light brightness.

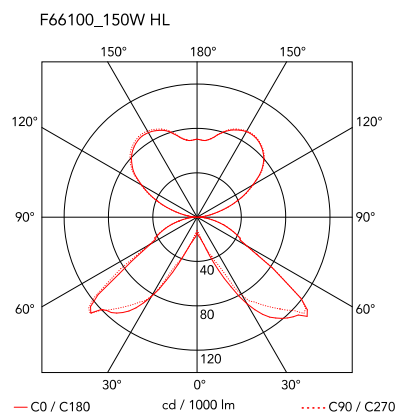


Main specifications

Mounting	Table	Iicos	HSGS
Environment	Indoor dry location	Autoprotected Lamp	Yes
Light source type	Bulb	Number of heads	1
Lamp category	Halogen	Source Power (W)	150
Lamp holder	E27		

Optical

Lighting Type	Indirect, Direct
Lighting distribution	Symmetric
Cold Beam Lighting	No
Extreme Cut off	No



Electrical

Insulation class	II	Plug Type	Type C
Frequency (Hz)	50/60	Charging Min Time	No
Main Voltage (Vac)	220-240		
Batteries Inside	No		
Cord length (mm)	1700		

Physical

Colour	White
Net weight (kg)	4.3
Gross weight (kg)	9.48
IP	20
IP external	20

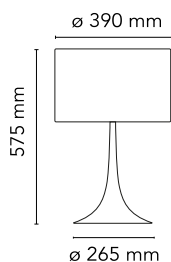


Spun Light Table 1

■ F6610030 - Black

Designed by Sebastian Wrong

Table/desk lamp providing diffused light. Spun metal frame and diffuser, die-cast aluminum diffuser support arms and lampholder support, painted in the colors indicated below. White, injection-molded polycarbonate diffuser supports. Sandblasted pressed glass upper diffuser screen. On the cable there is the electronic dimmer which allows the regulation of light brightness.

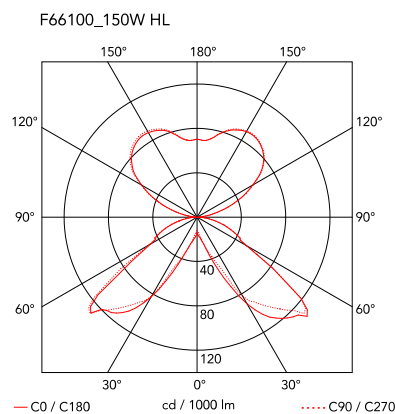


Main specifications

Mounting	Table	Iicos	HSGS
Environment	Indoor dry location	Autoprotected Lamp	Yes
Light source type	Bulb	Number of heads	1
Lamp category	Halogen	Source Power (W)	150
Lamp holder	E27		

Optical

Lighting Type	Indirect, Direct
Lighting distribution	Symmetric
Cold Beam Lighting	No
Extreme Cut off	No



Electrical

Insulation class	II	Plug Type	Type C
Frequency (Hz)	50/60	Charging Min Time	No
Main Voltage (Vac)	220-240		
Batteries Inside	No		
Cord length (mm)	1700		

Physical

Colour	Black
Net weight (kg)	4.3
Gross weight (kg)	9.48
IP	20
IP external	20

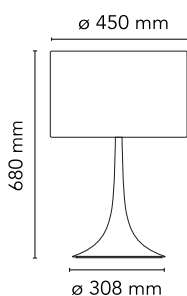


Spun Light Table 2

■ F6611009 - White

Designed by Sebastian Wrong

Table/desk lamp providing diffused light. Spun metal frame and diffuser, die-cast aluminum diffuser support arms and lampholder support, painted in the colors indicated below. White, injection-molded polycarbonate diffuser supports. Sandblasted pressed glass upper diffuser screen. On the cable there is the electronic dimmer which allows the regulation of light brightness.

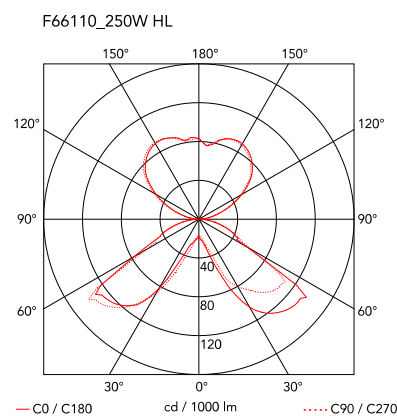


Main specifications

Mounting	Table	Iicos	HSGS
Environment	Indoor dry location	Autoprotected Lamp	Yes
Light source type	Bulb	Number of heads	1
Lamp category	Halogen	Source Power (W)	150
Lamp holder	E27		

Optical

Lighting Type	Indirect, Direct
Lighting distribution	Symmetric
Cold Beam Lighting	No
Extreme Cut off	No



Electrical

Insulation class	II	Plug Type	Type C
Frequency (Hz)	50/60	Charging Min Time	No
Main Voltage (Vac)	220-240		
Batteries Inside	No		
Cord length (mm)	1700		

Physical

Colour	White
Net weight (kg)	5.6
Gross weight (kg)	12.35
IP	20
IP external	20

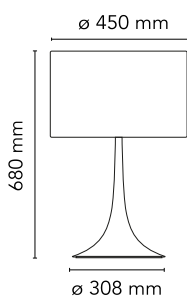


Spun Light Table 2

■ F6611030 - Black

Designed by Sebastian Wrong

Table/desk lamp providing diffused light. Spun metal frame and diffuser, die-cast aluminum diffuser support arms and lampholder support, painted in the colors indicated below. White, injection-molded polycarbonate diffuser supports. Sandblasted pressed glass upper diffuser screen. On the cable there is the electronic dimmer which allows the regulation of light brightness.

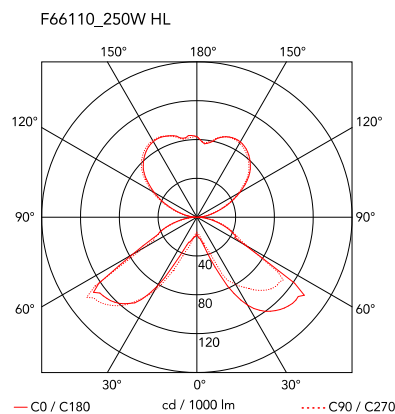


Main specifications

Mounting	Table	Iicos	HSGS
Environment	Indoor dry location	Autoprotected Lamp	Yes
Light source type	Bulb	Number of heads	1
Lamp category	Halogen	Source Power (W)	150
Lamp holder	E27		

Optical

Lighting Type	Indirect, Direct
Lighting distribution	Symmetric
Cold Beam Lighting	No
Extreme Cut off	No



Electrical

Insulation class	II	Plug Type	Type C
Frequency (Hz)	50/60	Charging Min Time	No
Main Voltage (Vac)	220-240		
Batteries Inside	No		
Cord length (mm)	1700		

Physical

Colour	Black
Net weight (kg)	5.6
Gross weight (kg)	12.35
IP	20
IP external	20

